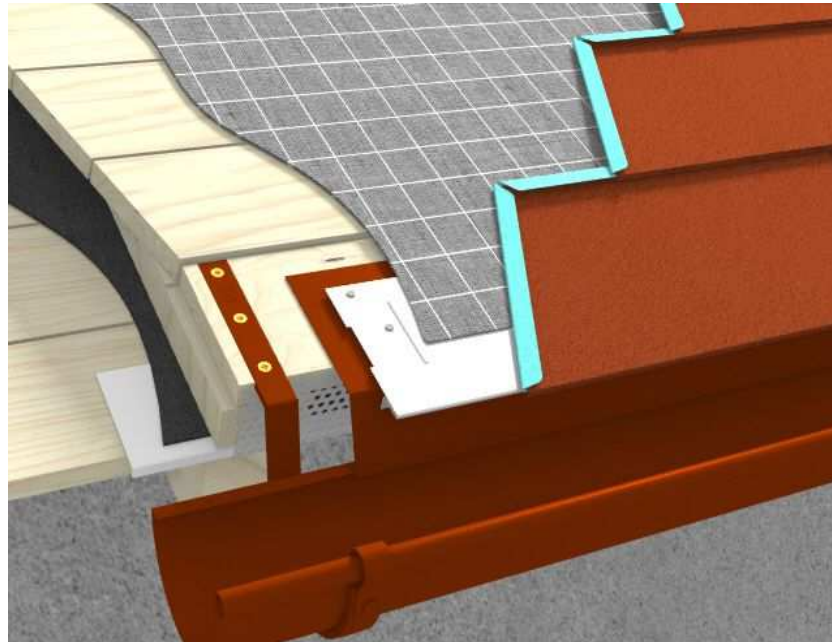




**DAS DACH,  
STARK WIE EIN STIER!**

# PREFA shingle - EN

## CAD-DETAILS



### CONTENTS:

page 002	minimum roof pitch with PREFA products
page 003	Snow guards — installation diagram S1
page 004	Snow guards — installation diagram S2
page 005	Snow guards — installation diagram S3
page 006	single-skin roof construction
page 007	double-skin roof construction
page 008	ridge construction — ridge vent
page 009	ridge construction — hip cap
page 010	half-ridge construction
page 011	eaves construction with gutter
page 012	eaves construction with box gutter
page 013	eaves construction with upright gutter bracket
page 014	eaves construction with upright gutter bracket (variant 1)
page 015	eaves construction with upright gutter bracket (variant 2)
page 016	eaves construction — on-roof gutter
page 017	roof verge construction with verge flashing
page 018	roof verge construction with recess
page 019	roof verge construction with bargeboard
page 020	wall flashing
page 021	roof parapet flashing
page 022	lateral wall connection
page 023	valley construction with PREFA safety valley
page 024	valley construction with simple valley
page 025	valley construction with recessed valley (variant 1)
page 026	valley construction with recessed valley (variant 2)
page 027	frog-mouth vent cover
page 028	PREFA roof anchor hook
page 029	Roof windows with an insert wedge over 25°
page 030	Roof window flashing with wedge frames under 15°
page 031	Roof window flashing with wedge frames under 15°
page 032	mansard crease
page 033	construction of pitch transition
page 034	PREFA Vario (or Fix) solar bracket
page 035	PREFA leader head
page 036	PREFA for pipe-style snow guard system
page 037	PREFA pipe-style snow guard bracket
page 038	PREFA mountain snow-guard bracket (new)
page 039	PREFA roof anchor hook according to EN 517 B
page 040	PREFA safety tread
page 041	PREFA walkway support



**DAS DACH,  
STARK WIE EIN STIER!**

# Overview minimum roof pitch for PREFA products

CAD-DETAILS

MINIMUM ROOF PITCH	3°	5°	7°	12°	14°	16°	17°	22°	≥ 25°
PREFALZ	• Observe national guidelines (roof underlay, no valleys/penetrations, etc.) • sealant in longitudinal seams								
* PREFA roof tile	< 7 m rafter length								
	7-12 m rafter length								
	> 12 m rafter length								
* PREFA R.16 roof tile	up to 25°: to be installed on a separating layer								
* PREFA shingle									
* PREFA rhomboid roof tile 29 x 29									
* PREFA rhomboid roof tile 44 x 44	< 7 m rafter length								
	7-12 m rafter length								
	> 12 m rafter length								
* PREFA FX.12 roof panel	up to 25°: to be installed on a separating layer								

In general, we recommend using suitable bitumen separating layers.

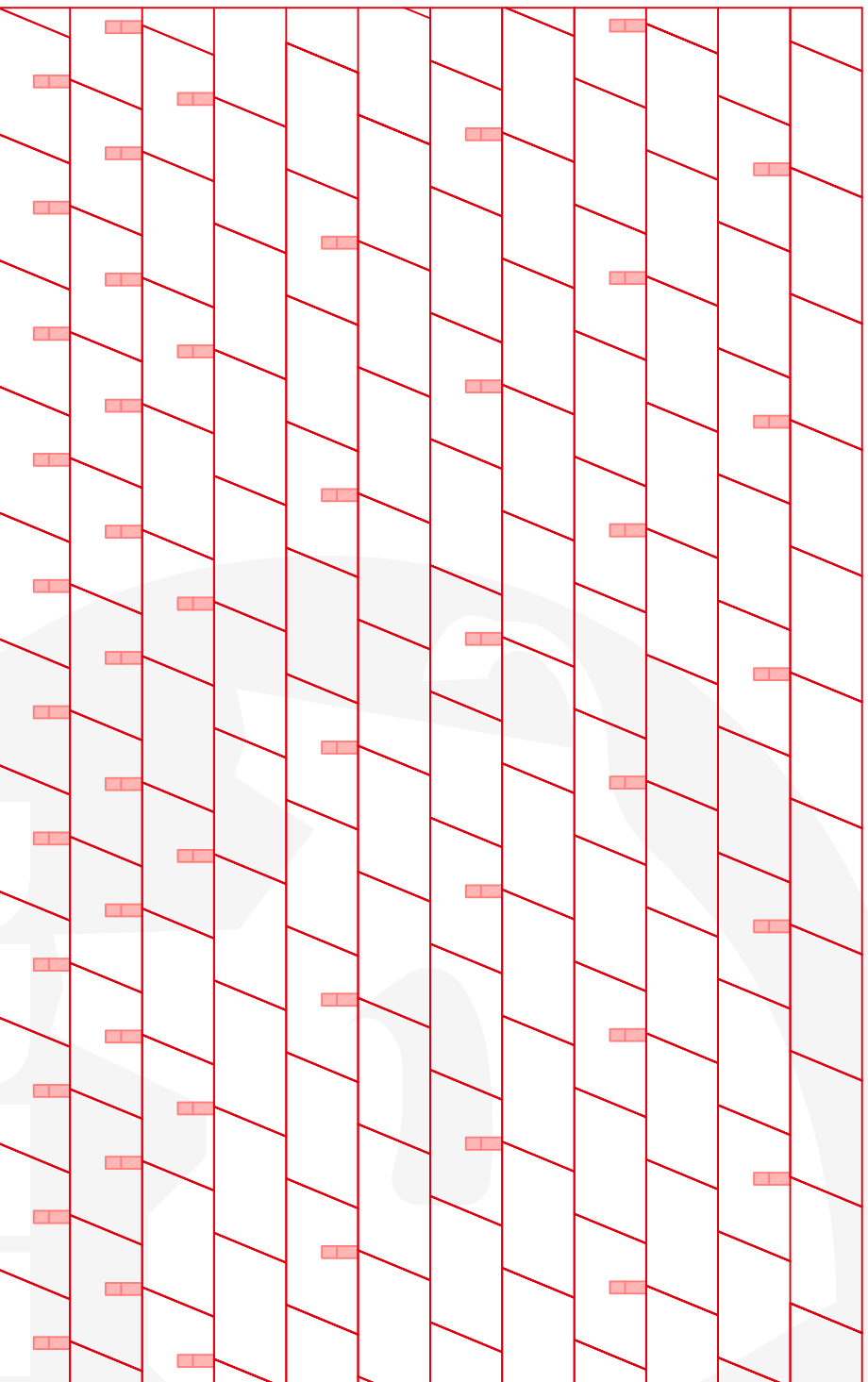
**\*) With snow loads higher than 3.25 kN/m<sup>2</sup> or in terrain categories 0, I or II, solid sheathing with a bitumen layer is required.**



**DAS DACH,  
STARK WIE EIN STIER!**

# Snow guards — installation diagram S1 for PREFA shingle

CAD-DETAILS



400 mm

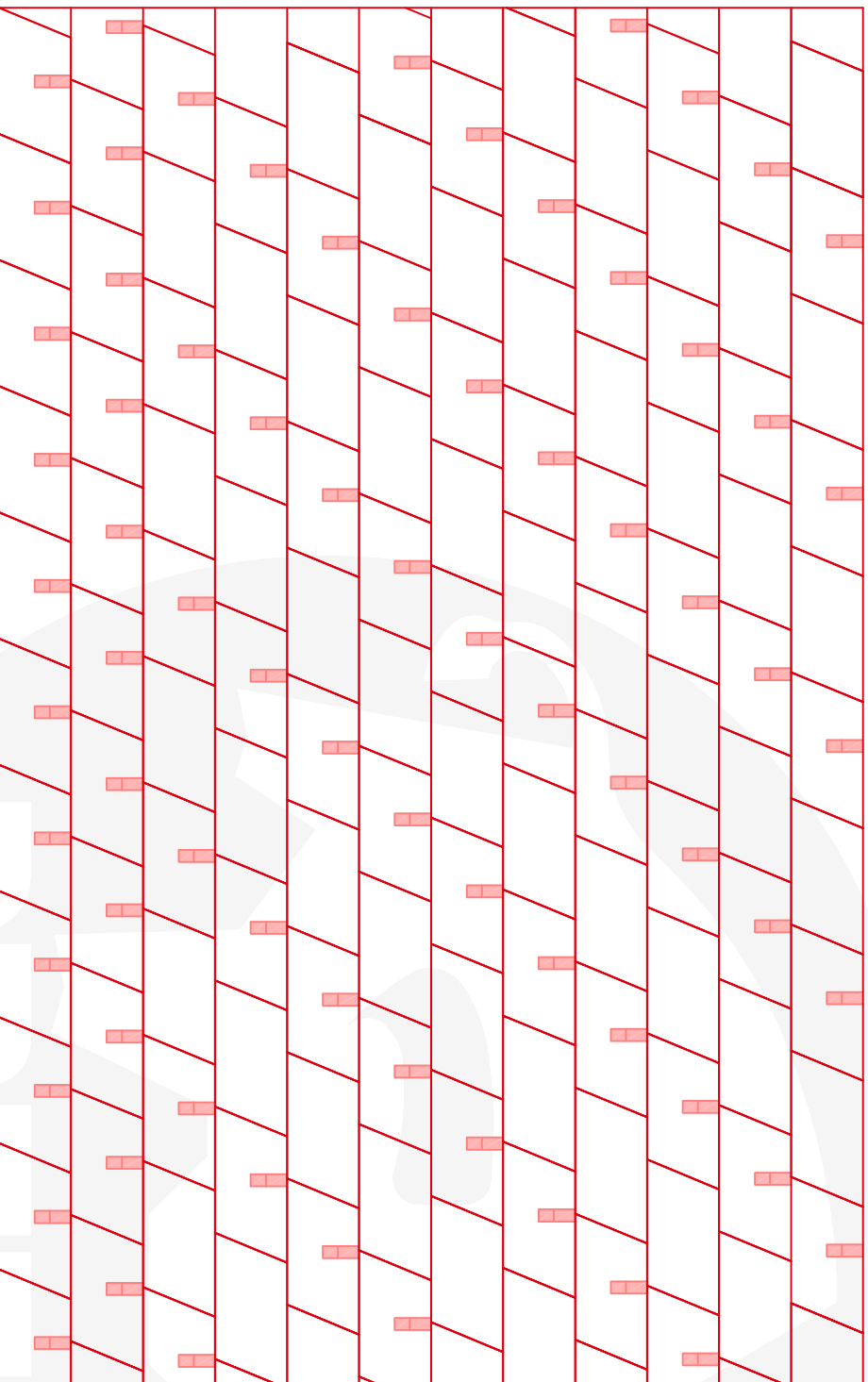
Installation diagram S1 (2,5 per m<sup>2</sup> — must be installed along the first two rows)  
Basic principle: ÖNORM B 1991-1-3 and EN 1991-1-3



**DAS DACH,  
STARK WIE EIN STIER!**

# Snow guards — installation diagram S2 for PREFA shingle

CAD-DETAILS



Installation diagram S2 (5 per m<sup>2</sup> — must be installed along the first two rows)  
Basic principle: ÖNORM B 1991-1-3 and EN 1991-1-3

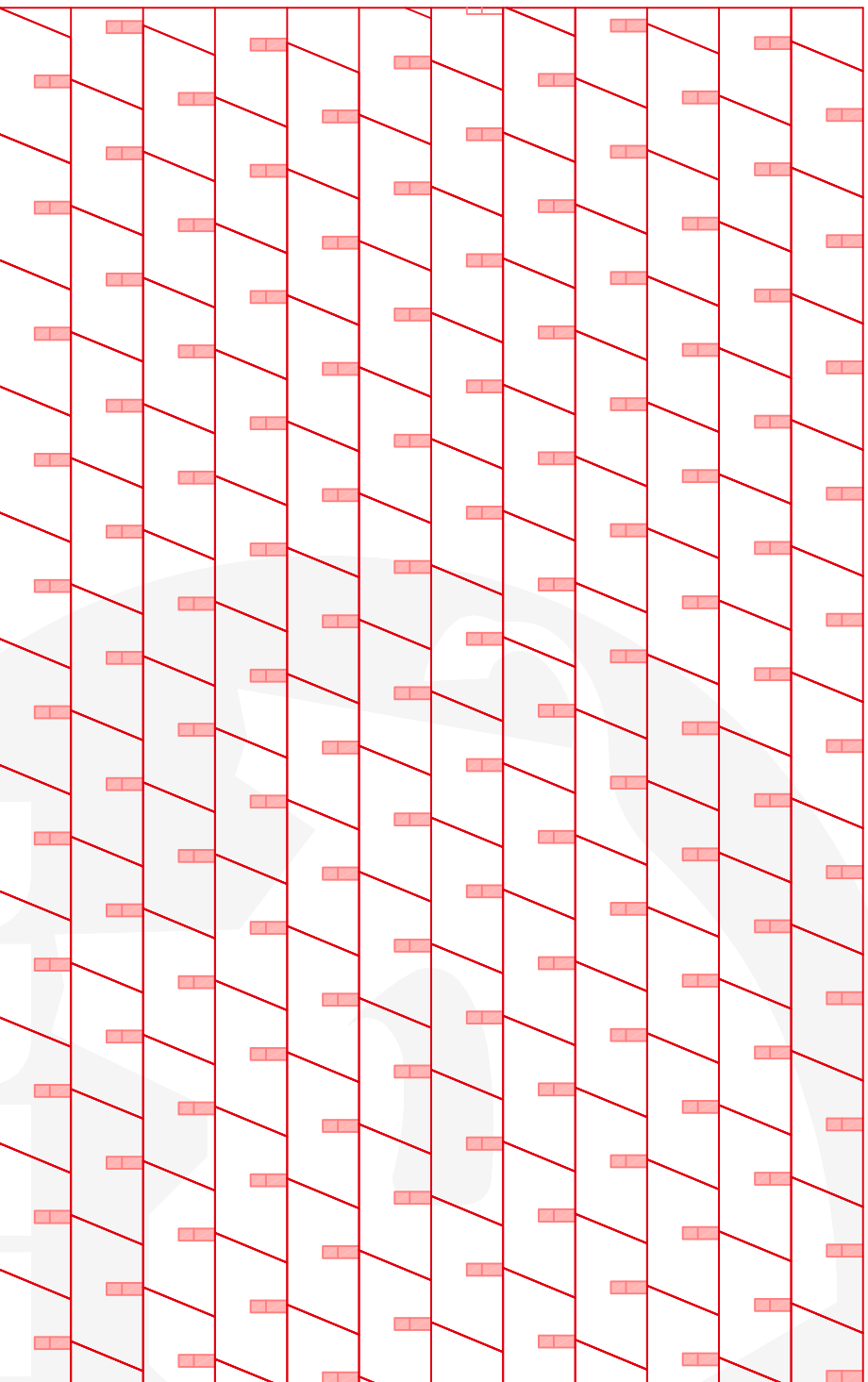




**DAS DACH,  
STARK WIE EIN STIER!**

# Snow guards — installation diagram S3 for PREFA shingle

CAD-DETAILS



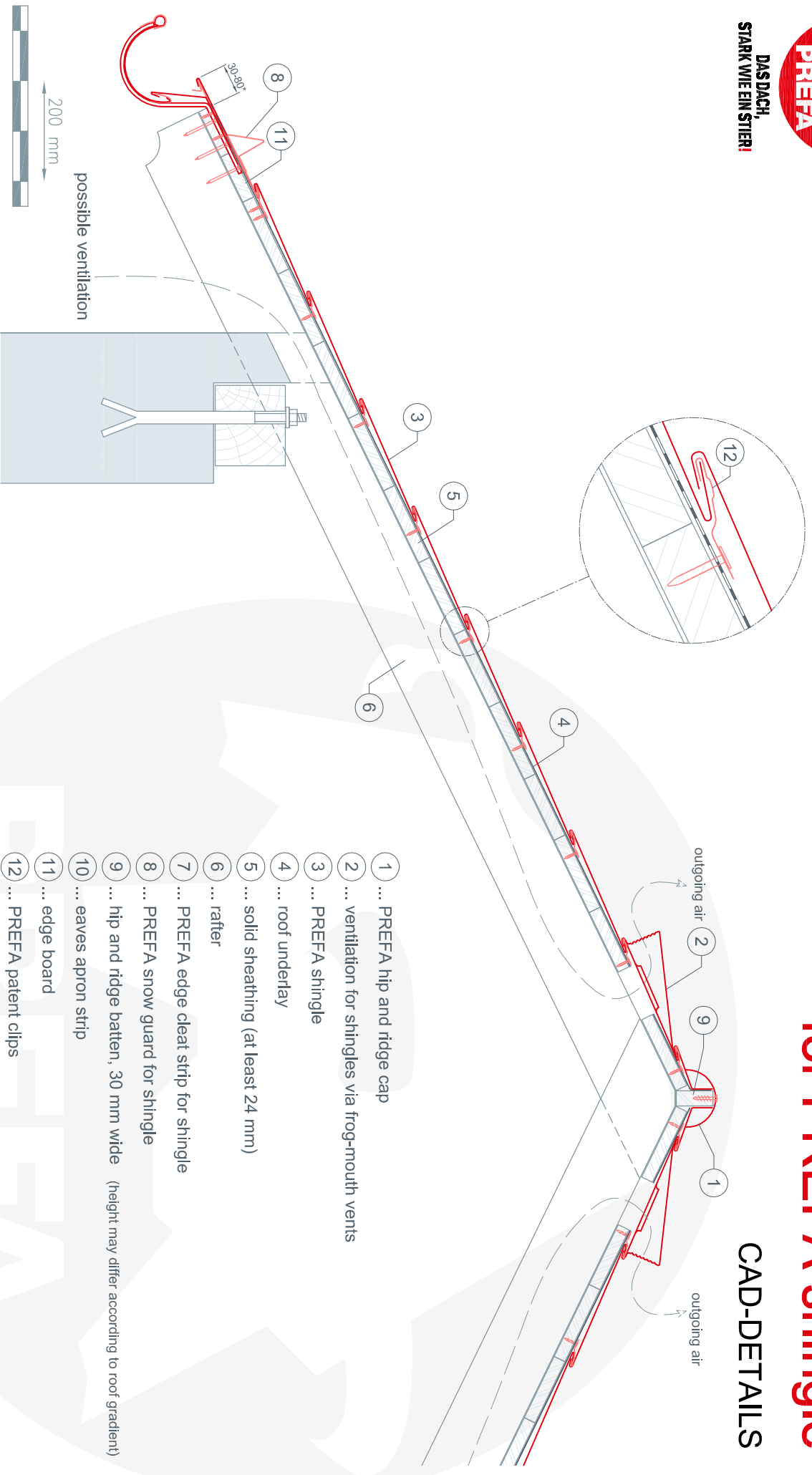
Installation diagram S3 (10 per m<sup>2</sup>)  
Basic principle: ÖNORM B 1991-1-3 and EN 1991-1-3



**DAS DACH,  
STARK WIE EIN STIER!**

# single-skin roof construction for PREFA shingle

**CAD-DETAILS**



- 1 ... PREFA hip and ridge cap
- 2 ... ventilation for shingles via frog-mouth vents
- 3 ... PREFA shingle
- 4 ... roof underlay
- 5 ... solid sheathing (at least 24 mm)
- 6 ... rafter
- 7 ... PREFA edge cleat strip for shingle
- 8 ... PREFA snow guard for shingle
- 9 ... hip and ridge batten, 30 mm wide (height may differ according to roof gradient)
- 10 ... eaves apron strip
- 11 ... edge board
- 12 ... PREFA patent clips

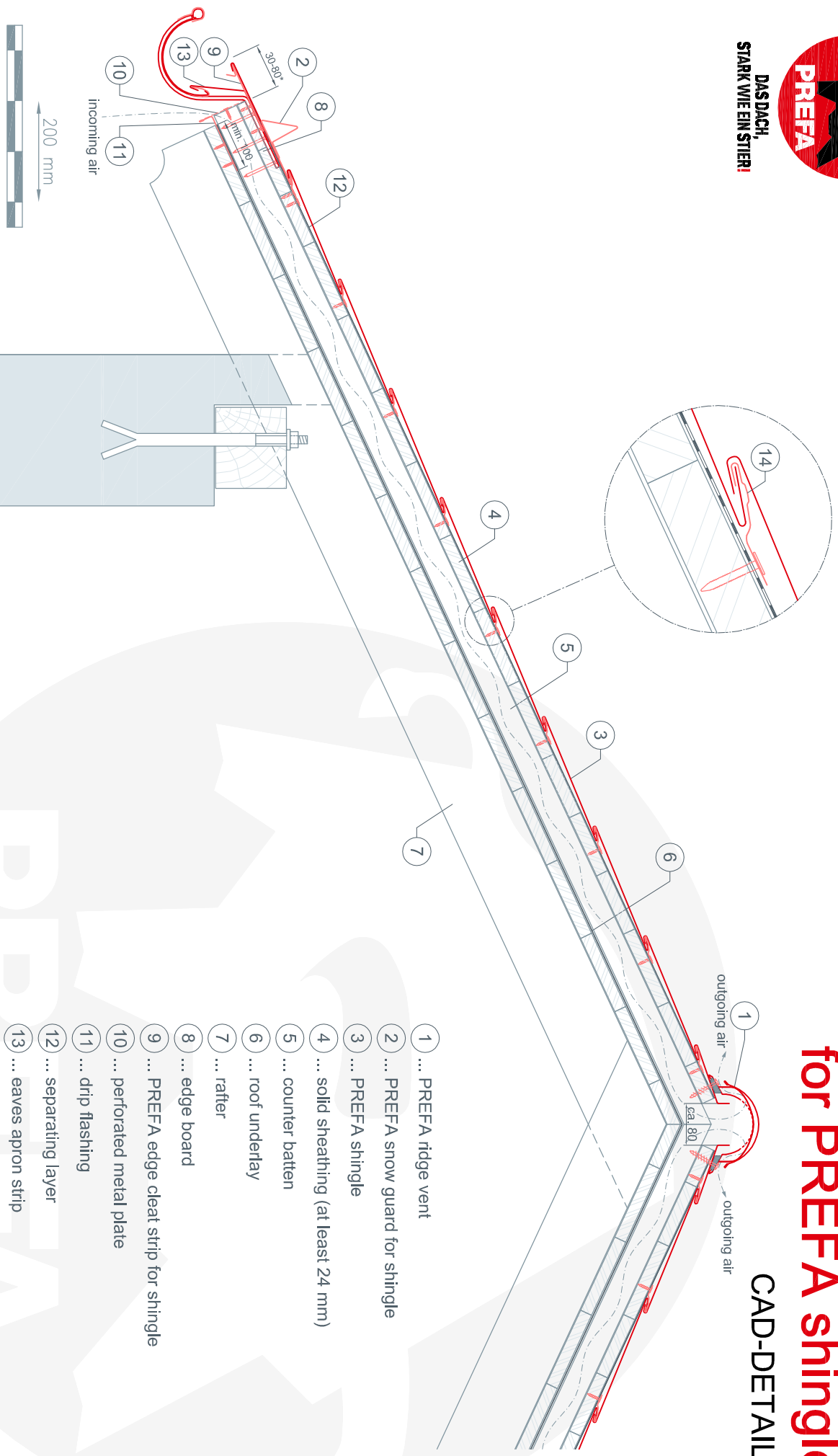
\* The eaves projection must not exceed 80 mm.



**DAS DACH,  
STARK WIE EIN STIER!**

# double-skin roof construction for PREFA shingle

**CAD-DETAILS**



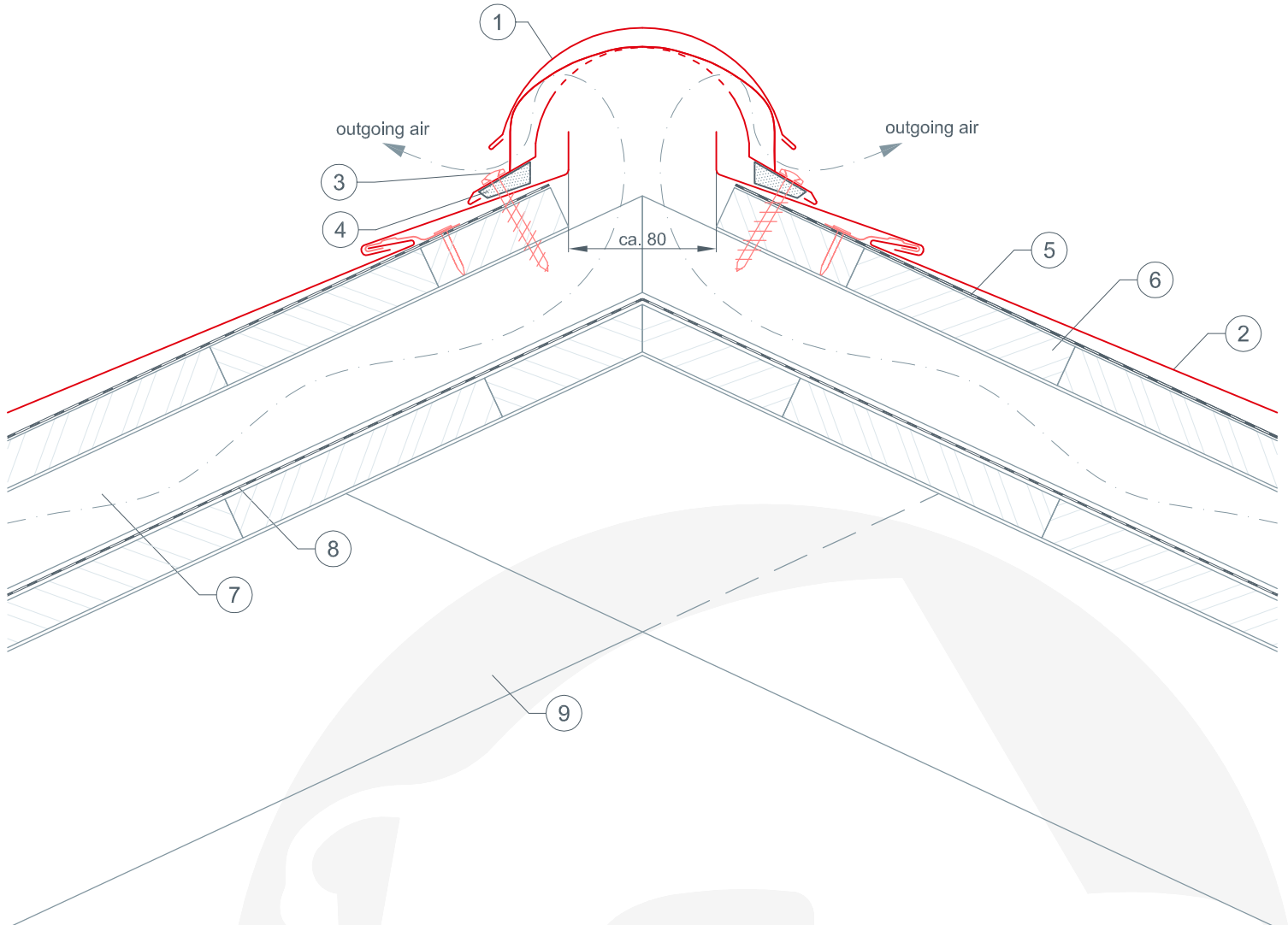
\* The eaves projection must not exceed 80 mm.



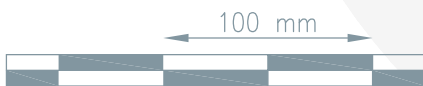
**DAS DACH,  
STARK WIE EIN STIER!**

# ridge construction — PREFA ridge vent for PREFA shingle

## CAD-DETAILS



- ① ... PREFA ridge vent
- ② ... PREFA shingle
- ③ ... sealing screw
- ④ ... self-adhesive foam wedge
- ⑤ ... separating layer
- ⑥ ... solid sheathing (at least 24 mm)
- ⑦ ... counter battens (ventilated channel)
- ⑧ ... roof underlay
- ⑨ ... rafter

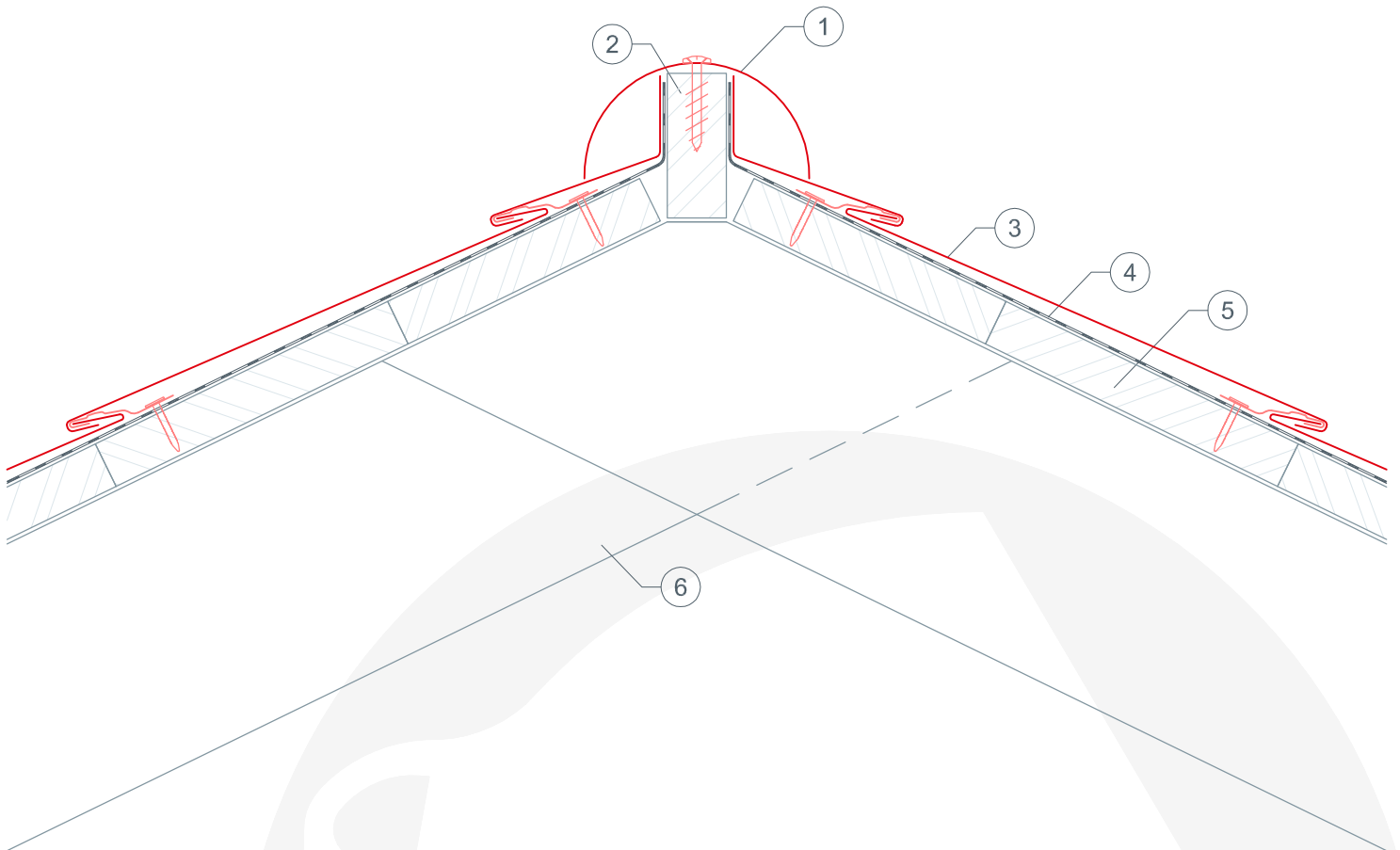




**DAS DACH,  
STARK WIE EIN STIER!**

# ridge construction — PREFA hip cap for PREFA shingle

## CAD-DETAILS



- ① ... PREFA hip and ridge cap
- ② ... hip and ridge batten, 30 mm wide (height may differ according to roof gradient)
- ③ ... PREFA shingle
- ④ ... separating layer
- ⑤ ... solid sheathing (at least 24 mm)
- ⑥ ... rafter

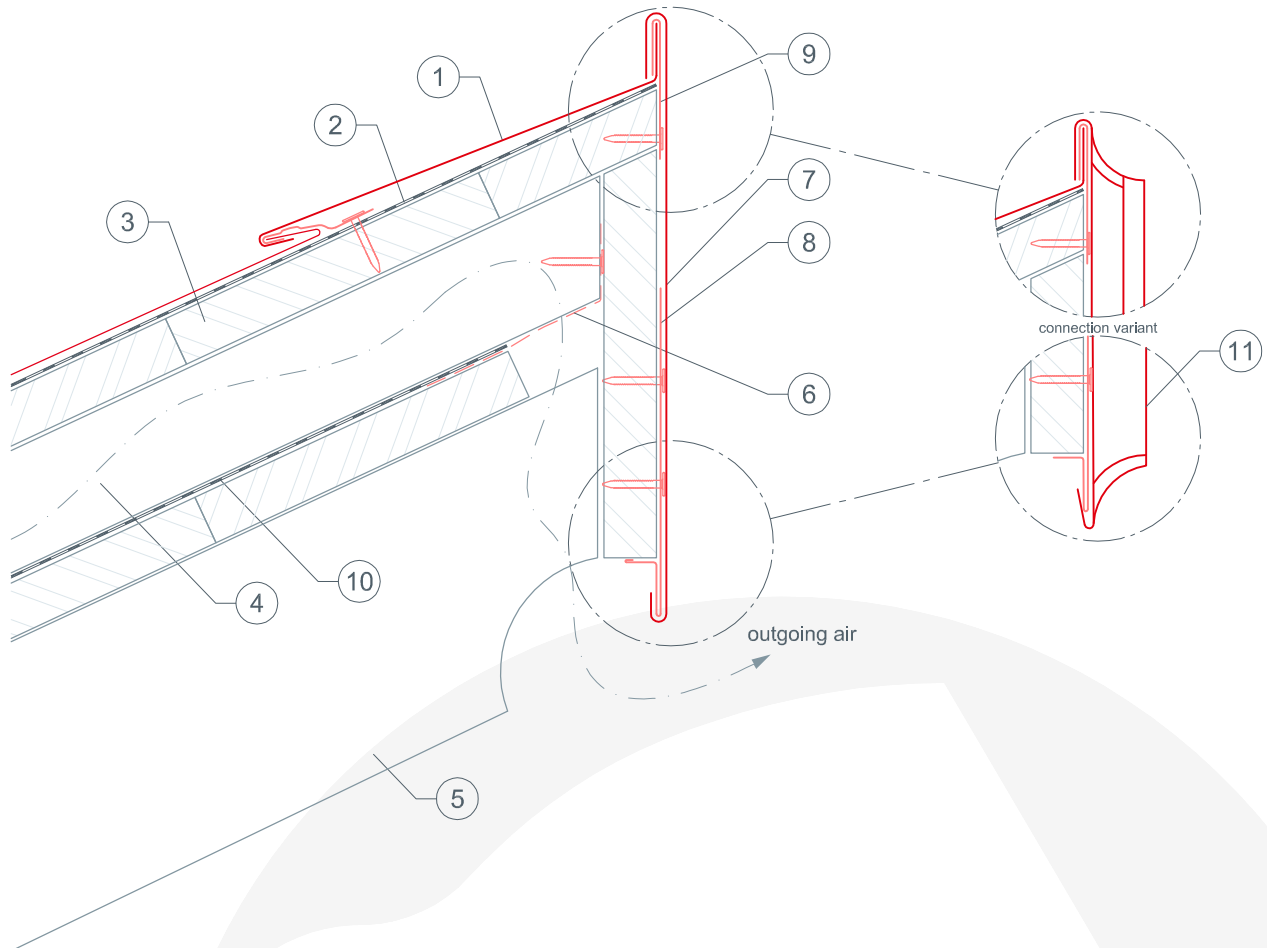




**DAS DACH,  
STARK WIE EIN STIER!**

# end of mono-pitched roof for PREFA shingle

CAD-DETAILS



- ① ... PREFA shingle
- ② ... separating layer
- ③ ... solid sheathing (at least 24 mm)
- ④ ... counter battens
- ⑤ ... rafter
- ⑥ ... perforated metal plate
- ⑦ ... end of mono-pitched roof
- ⑧ ... edge cleat strip
- ⑨ ... fixing strip
- ⑩ ... roof underlay
- ⑪ ... end of mono-pitched roof variant

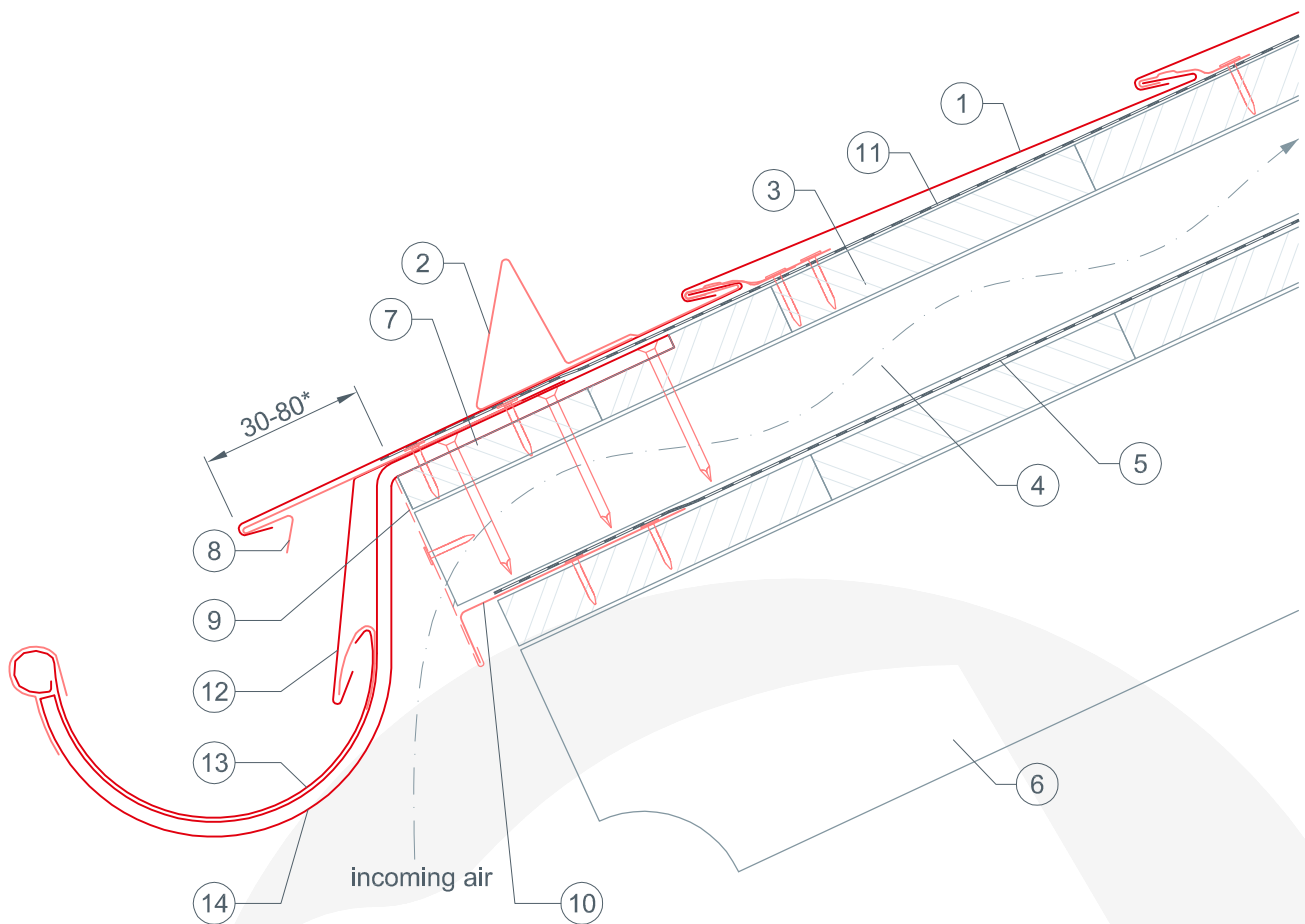




DAS DACH,  
STARK WIE EIN STIER!

# eaves construction with gutter for PREFA shingle

## CAD-DETAILS



- ① ... PREFA shingle
- ② ... PREFA snow guard for shingle
- ③ ... solid sheathing (at least 24 mm)
- ④ ... counter batten
- ⑤ ... roof underlay
- ⑥ ... rafter
- ⑦ ... edge board
- ⑧ ... PREFA edge cleat strip for shingle
- ⑨ ... perforated metal plate
- ⑩ ... underlayment eaves apron strip
- ⑪ ... separating layer
- ⑫ ... eaves apron strip
- ⑬ ... PREFA gutter
- ⑭ ... PREFA gutter bracket

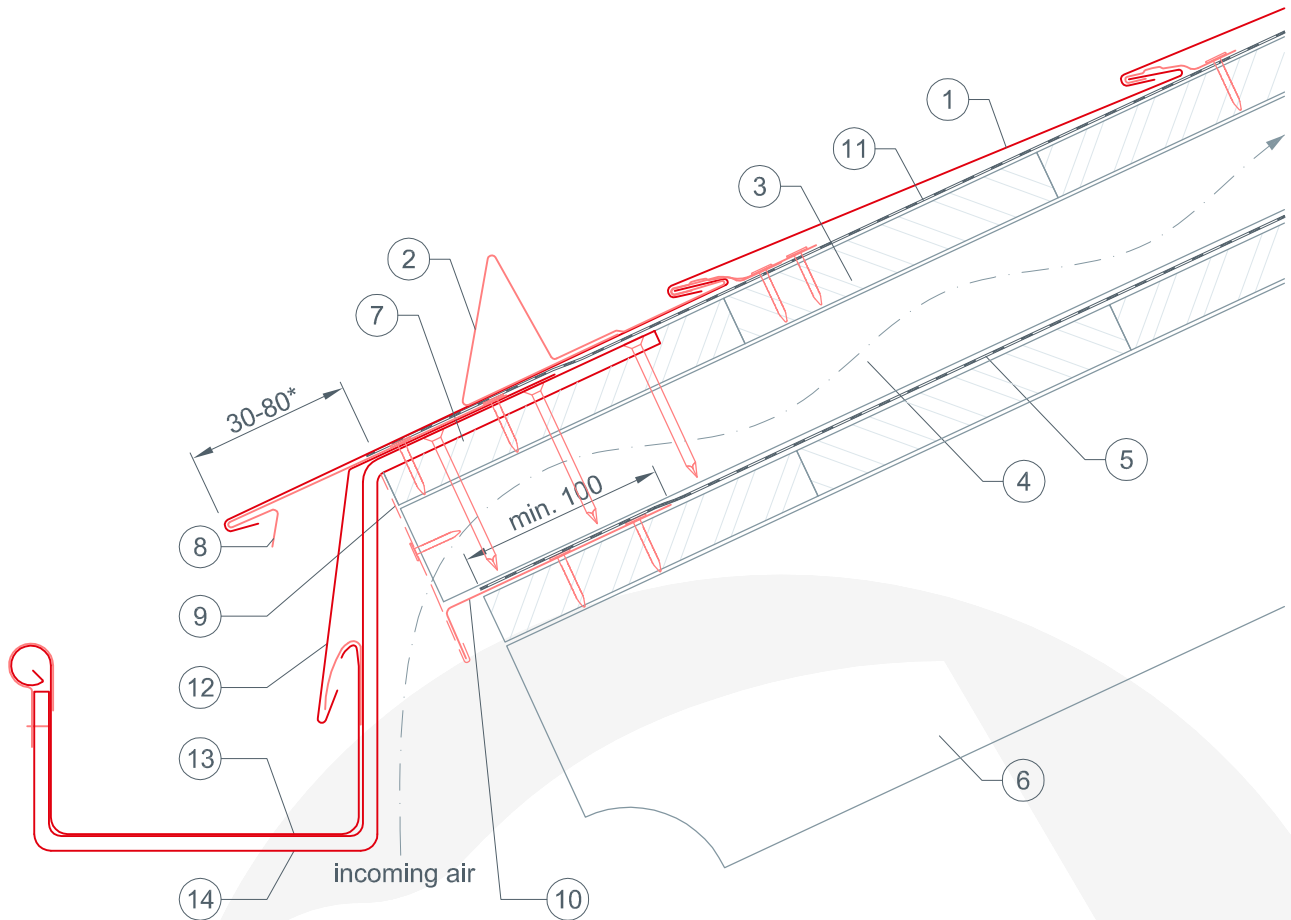




DAS DACH,  
STARK WIE EIN STIER!

# eaves construction with box gutter for PREFA shingle

CAD-DETAILS



- ① ... PREFA shingle
- ② ... PREFA snow guard for shingle
- ③ ... solid sheathing (at least 24 mm)
- ④ ... counter batten
- ⑤ ... roof underlay
- ⑥ ... rafter
- ⑦ ... edge board
- ⑧ ... PREFA edge cleat strip for shingle
- ⑨ ... perforated metal plate
- ⑩ ... underlayment eaves apron strip
- ⑪ ... separating layer
- ⑫ ... eaves apron strip
- ⑬ ... PREFA box gutter
- ⑭ ... PREFA gutter bracket

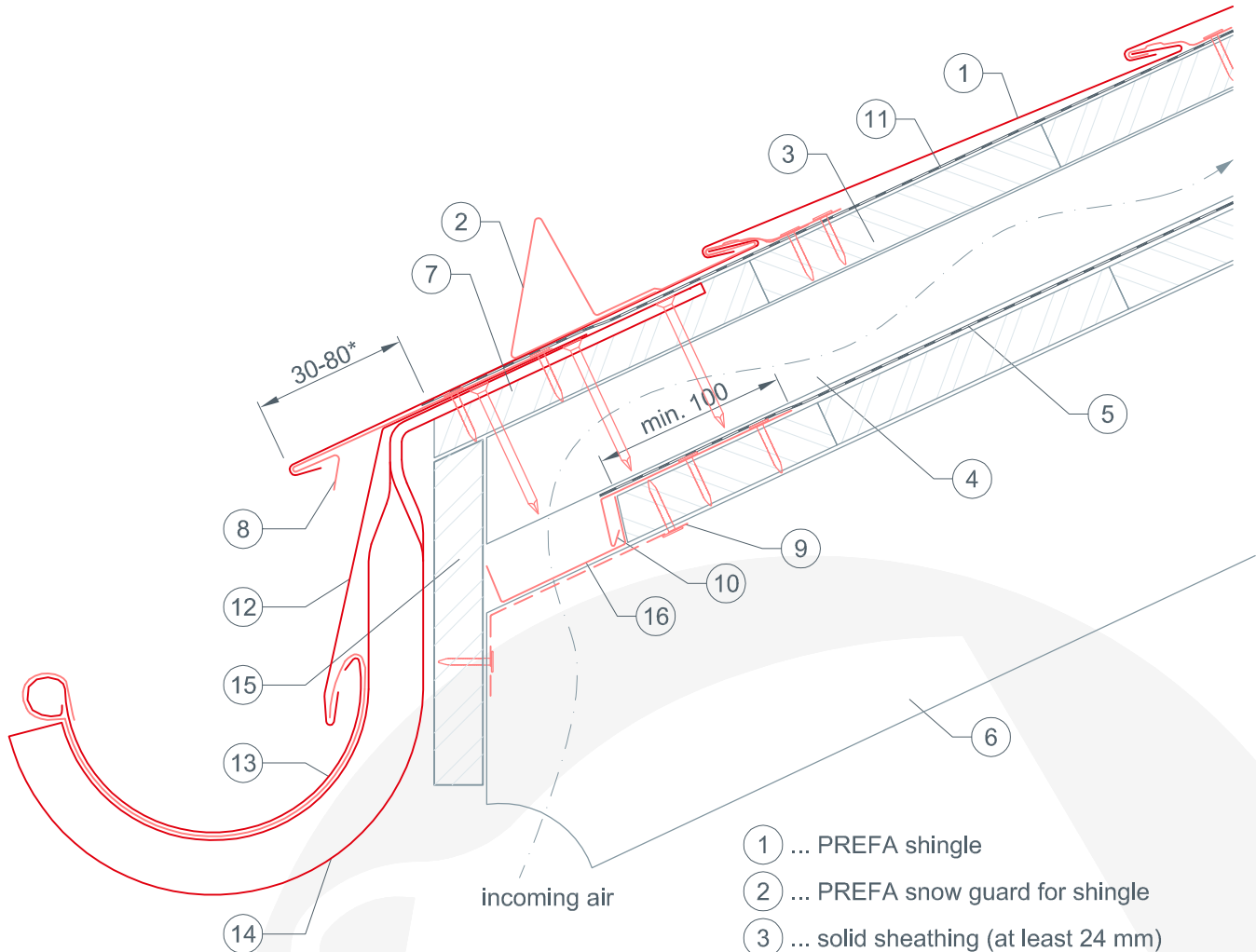




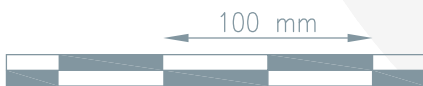
DAS DACH,  
STARK WIE EIN STIER!

# eaves construction with upright gutter bracket for PREFA shingle

CAD-DETAILS



- ① ... PREFA shingle
- ② ... PREFA snow guard for shingle
- ③ ... solid sheathing (at least 24 mm)
- ④ ... counter batten
- ⑤ ... roof underlay
- ⑥ ... rafter
- ⑦ ... edge board
- ⑧ ... PREFA edge cleat strip for shingle
- ⑨ ... perforated metal plate
- ⑩ ... underlayment eaves apron strip
- ⑪ ... separating layer
- ⑫ ... eaves apron strip
- ⑬ ... PREFA gutter
- ⑭ ... PREFA upright gutter bracket
- ⑮ ... bargeboard
- ⑯ ... rafter cover

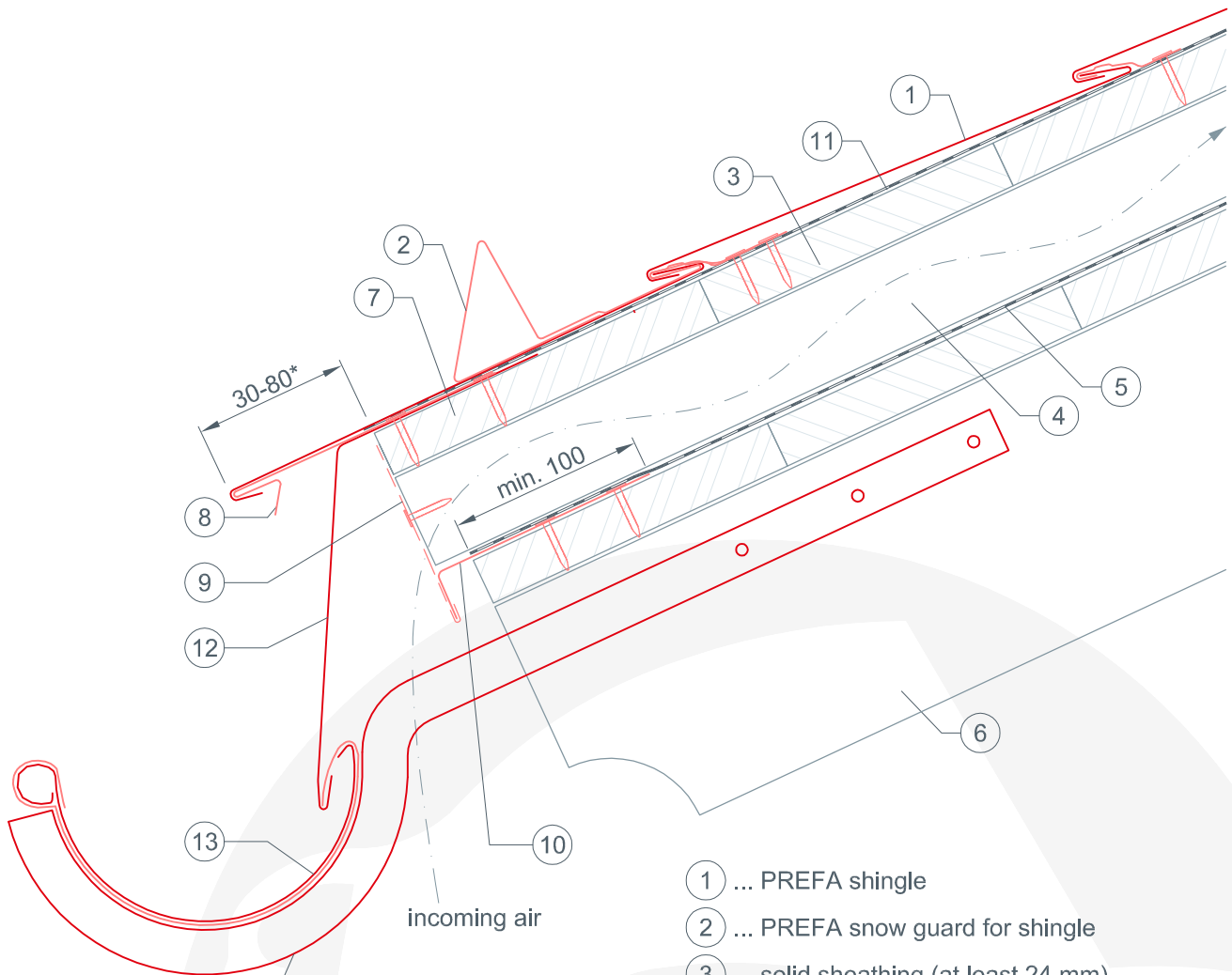




**DAS DACH,  
STARK WIE EIN STIER!**

# eaves construction with upright gutter bracket (variant 1) for PREFA shingle

**CAD-DETAILS**



- ① ... PREFA shingle
- ② ... PREFA snow guard for shingle
- ③ ... solid sheathing (at least 24 mm)
- ④ ... counter batten
- ⑤ ... roof underlay
- ⑥ ... rafter
- ⑦ ... edge board
- ⑧ ... PREFA edge cleat strip for shingle
- ⑨ ... perforated metal plate
- ⑩ ... underlayment eaves apron strip
- ⑪ ... separating layer
- ⑫ ... eaves apron strip
- ⑬ ... PREFA gutter
- ⑭ ... PREFA upright gutter bracket

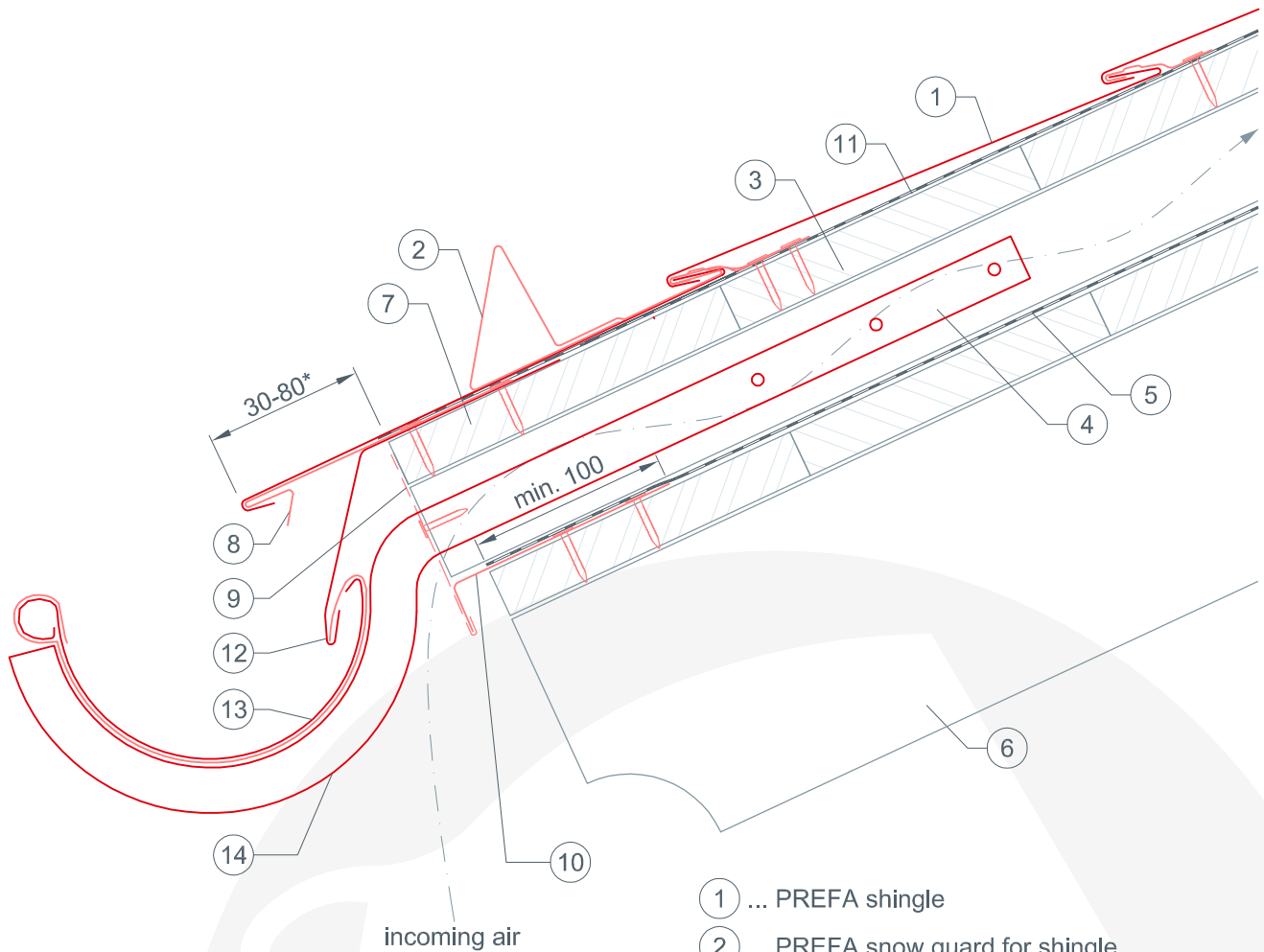




**DAS DACH,  
STARK WIE EIN STIER!**

# eaves construction with upright gutter bracket (variant 1) for PREFA shingle

**CAD-DETAILS**



- ① ... PREFA shingle
- ② ... PREFA snow guard for shingle
- ③ ... solid sheathing (at least 24 mm)
- ④ ... counter batten
- ⑤ ... roof underlay
- ⑥ ... rafter
- ⑦ ... edge board
- ⑧ ... PREFA edge cleat strip for shingle
- ⑨ ... perforated metal plate
- ⑩ ... underlayment eaves apron strip
- ⑪ ... separating layer
- ⑫ ... PREFA eaves apron strip
- ⑬ ... PREFA gutter
- ⑭ ... PREFA upright gutter bracket

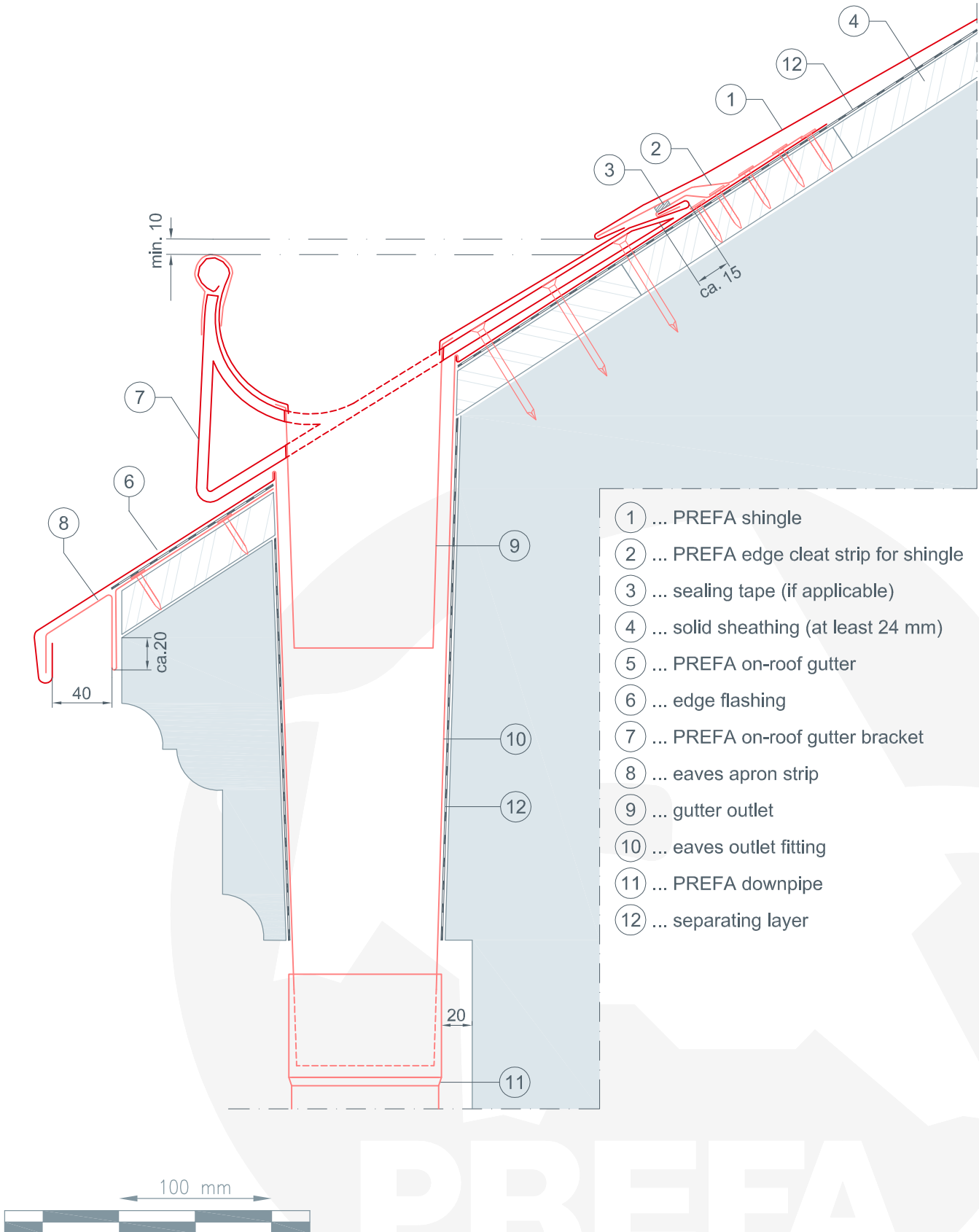




**DAS DACH,  
STARK WIE EIN STIER!**

# eaves construction with on-roof gutter for PREFA shingle

CAD-DETAILS

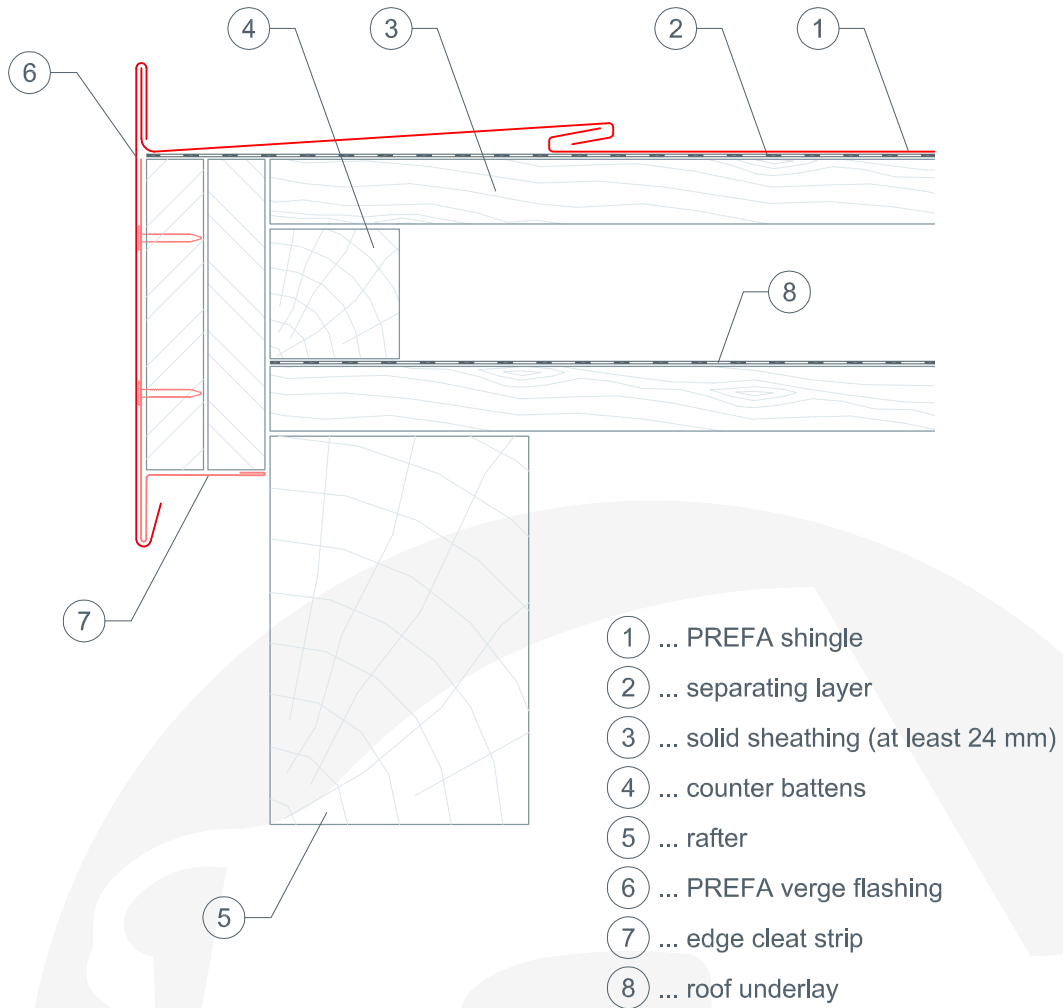




**DAS DACH,  
STARK WIE EIN STIER!**

# roof verge construction with verge flashing for PREFA shingle

CAD-DETAILS

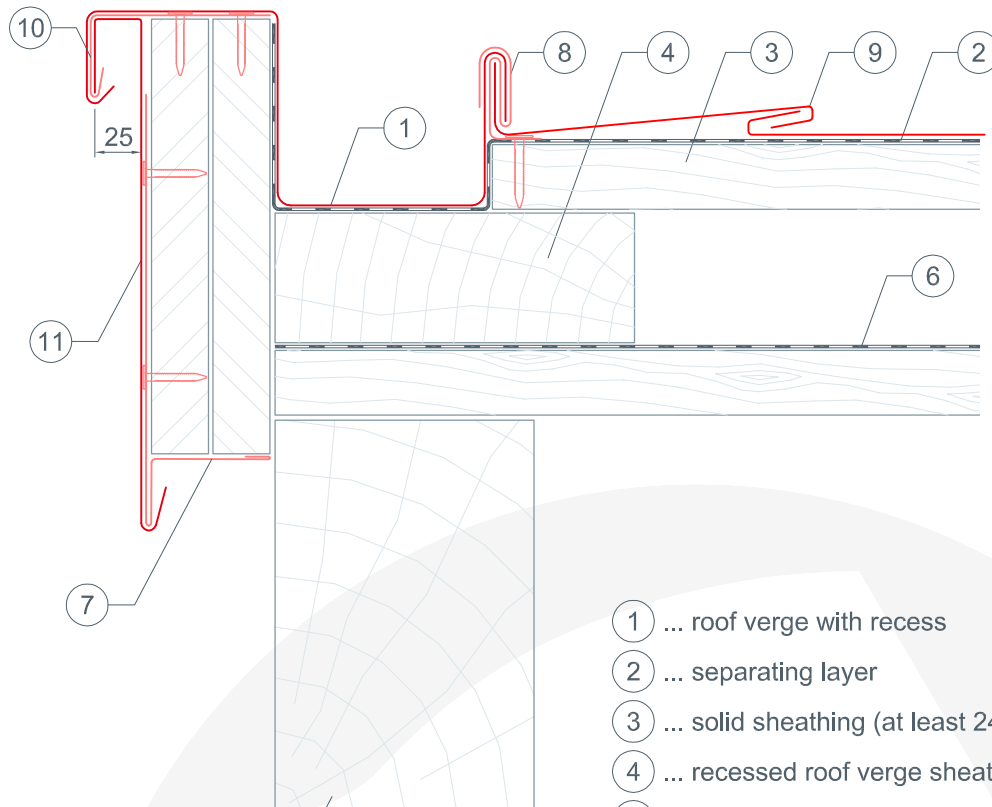




DAS DACH,  
STARK WIE EIN STIER!

# roof verge construction with recess for PREFA shingle

CAD-DETAILS



- ① ... roof verge with recess
- ② ... separating layer
- ③ ... solid sheathing (at least 24 mm)
- ④ ... recessed roof verge sheathing
- ⑤ ... rafter
- ⑥ ... roof underlay
- ⑦ ... edge cleat strip
- ⑧ ... double-lock clip
- ⑨ ... PREFA shingle
- ⑩ ... PREFA cleat strip
- ⑪ ... verge flashing

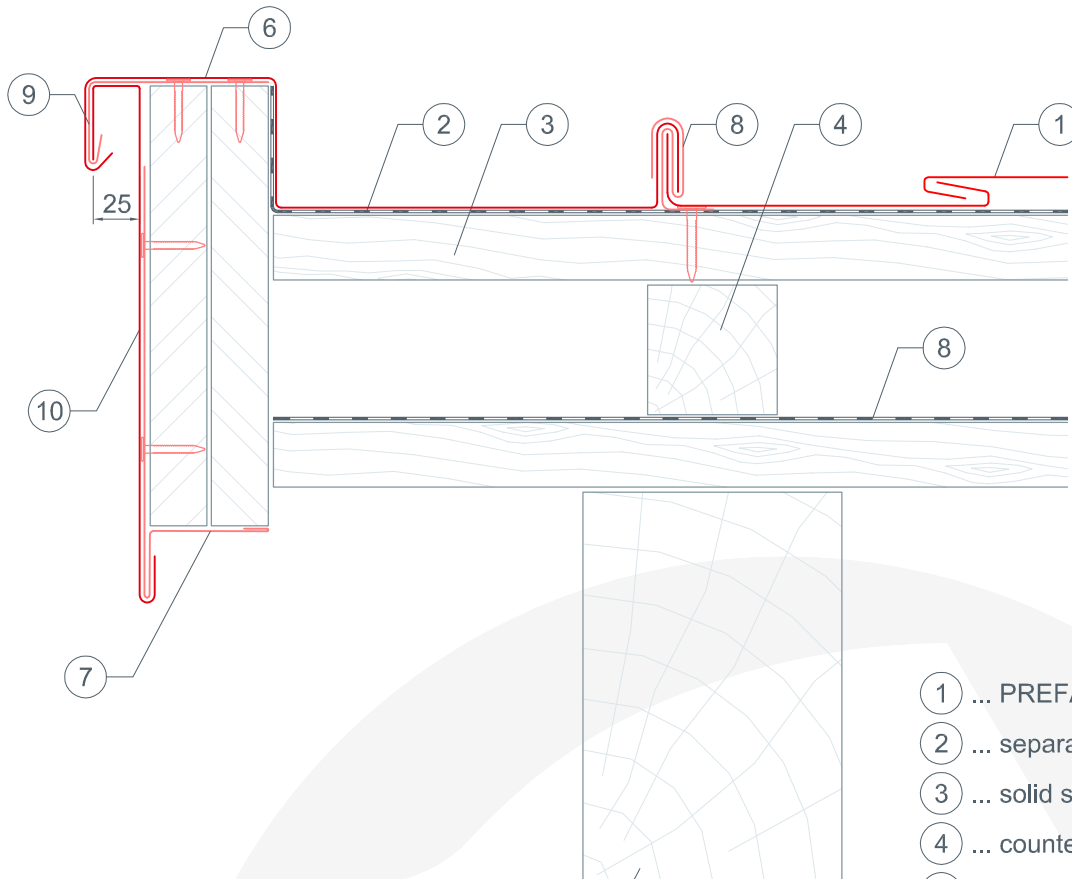




**DAS DACH,  
STARK WIE EIN STIER!**

# roof verge construction with bargeboard for PREFA shingle

CAD-DETAILS



- ① ... PREFA shingle
- ② ... separating layer
- ③ ... solid sheathing (at least 24 mm)
- ④ ... counter battens
- ⑤ ... rafter
- ⑥ ... verge flashing
- ⑦ ... edge cleat strip
- ⑧ ... roof underlay
- ⑨ ... PREFA cleat strip
- ⑩ ... verge flashing

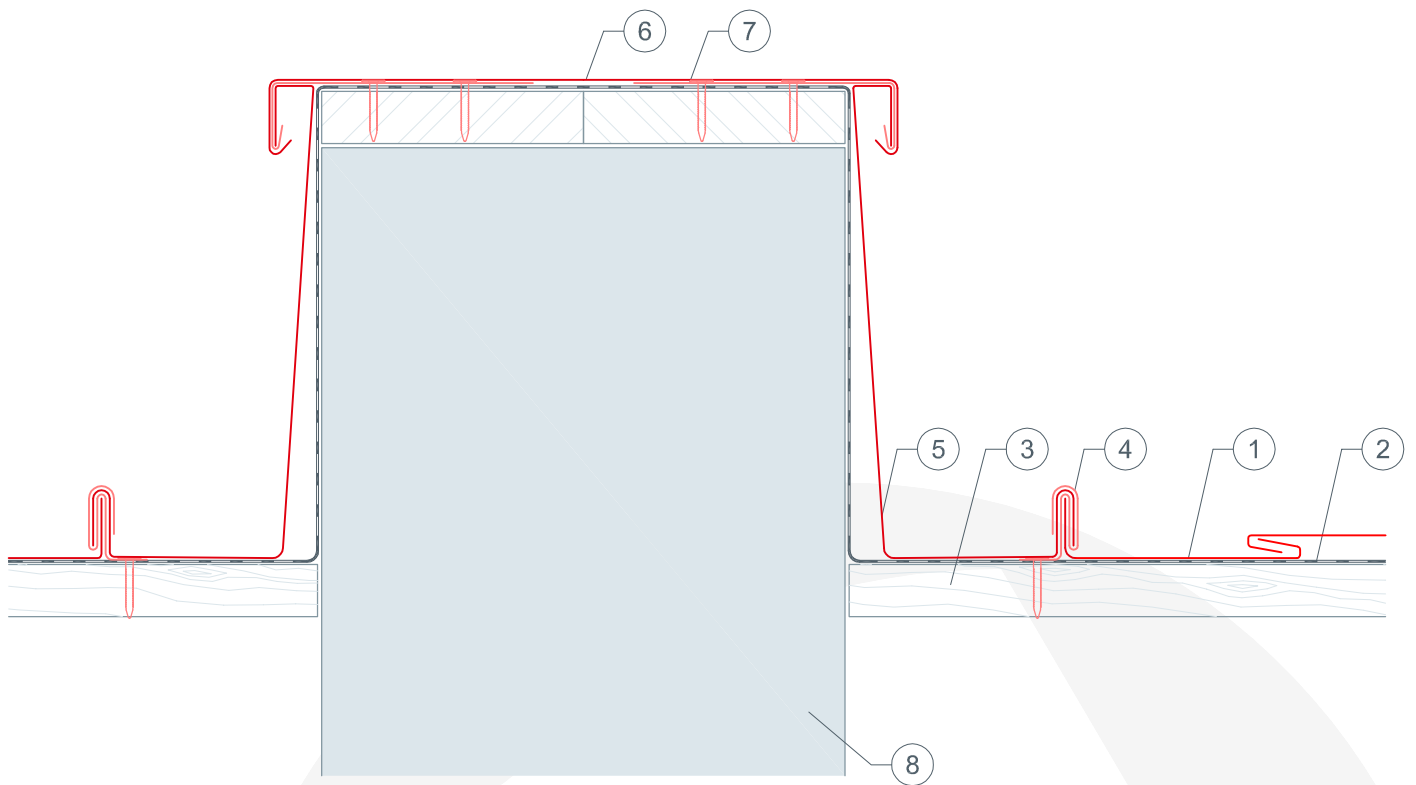




**DAS DACH,  
STARK WIE EIN STIER!**

# wall flashing for PREFA shingle

## CAD-DETAILS



- ① ... PREFA shingle
- ② ... separating layer
- ③ ... solid sheathing (at least 24 mm)
- ④ ... double-lock clip
- ⑤ ... wall connection plate
- ⑥ ... wall flashing
- ⑦ ... cleat strip
- ⑧ ... wall

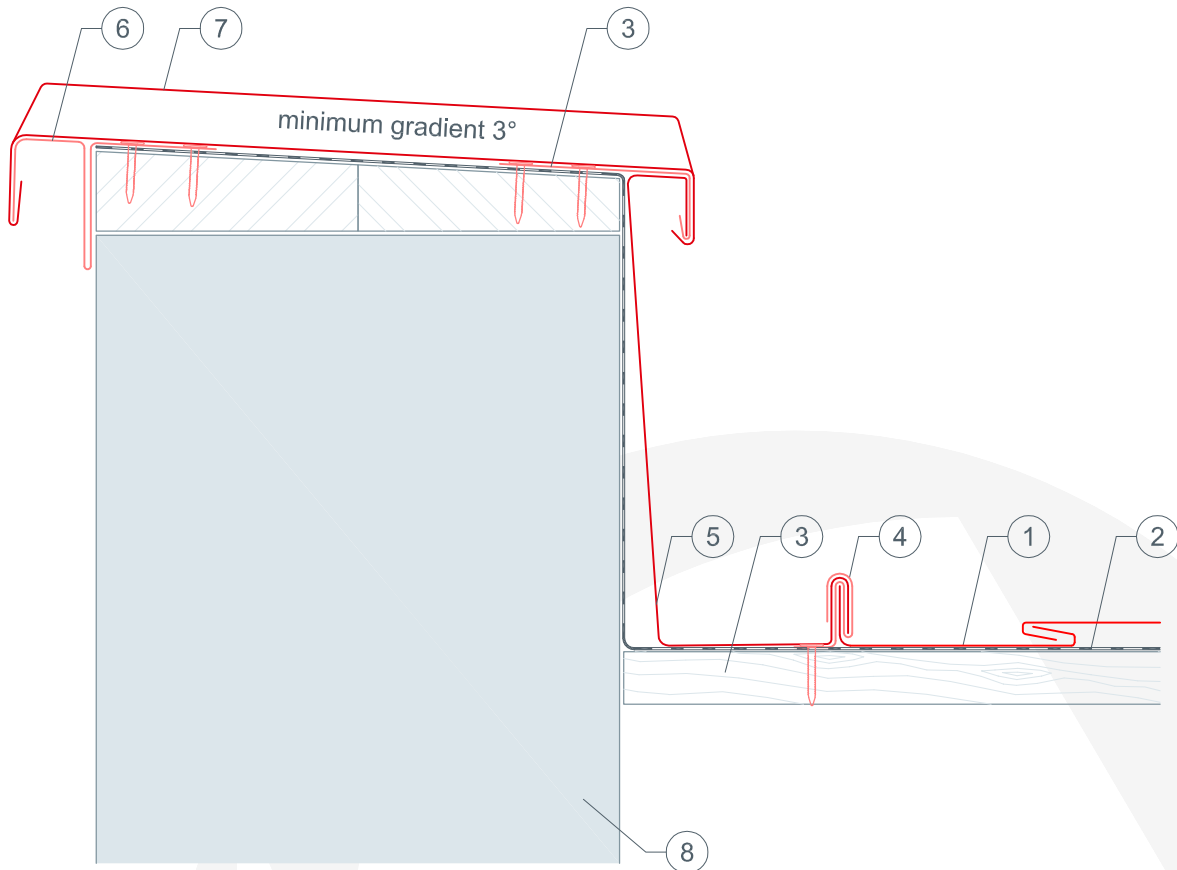




**DAS DACH,  
STARK WIE EIN STIER!**

# roof parapet flashing for PREFA shingle

CAD-DETAILS



- ① ... PREFA shingle
- ② ... separating layer
- ③ ... solid sheathing (at least 24 mm)
- ④ ... double-lock clip
- ⑤ ... wall connection plate
- ⑥ ... cleat strip
- ⑦ ... roof parapet flashing
- ⑧ ... wall

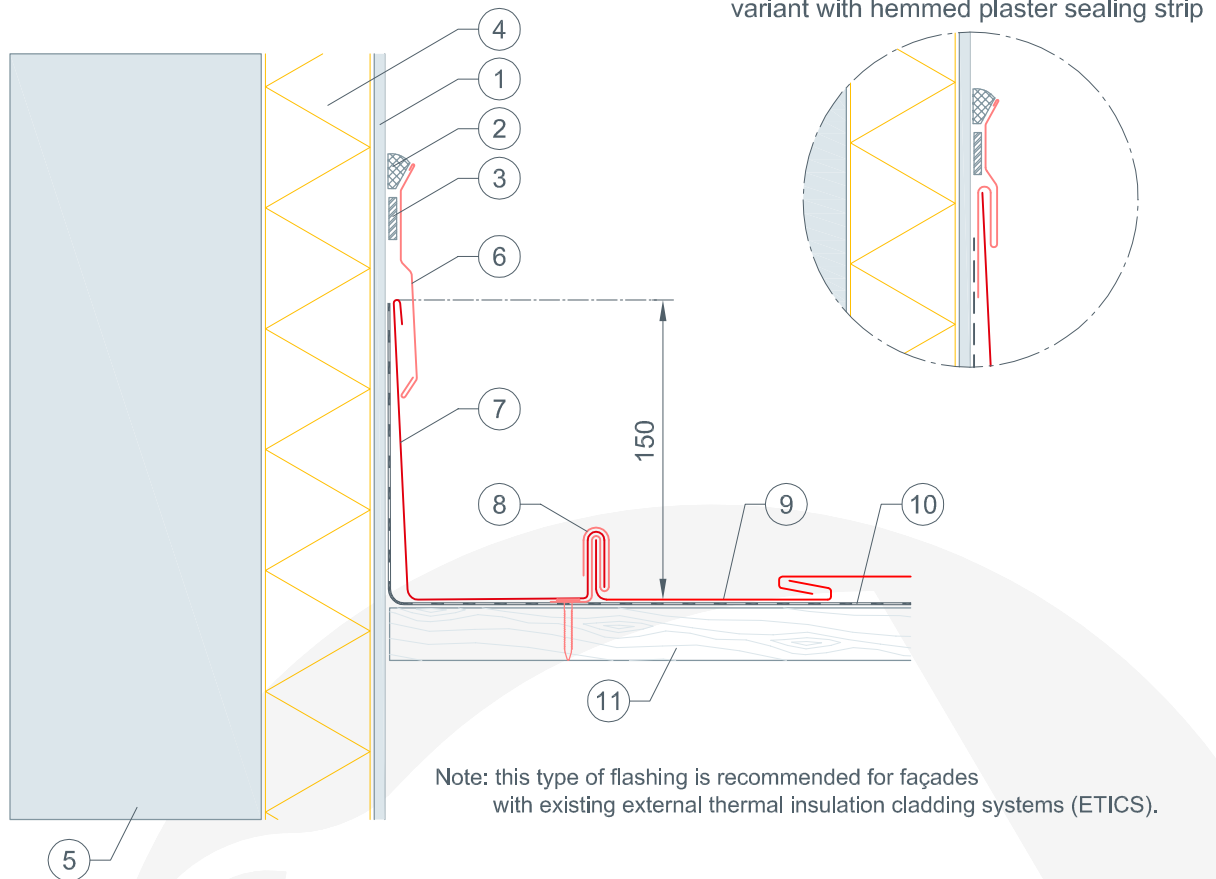




**DAS DACH,  
STARK WIE EIN STIER!**

# lateral wall connection for PREFA shingle

## CAD-DETAILS



- ① ... plaster
- ② ... elastic sealant
- ③ ... sealing tape
- ④ ... full thermal insulation
- ⑤ ... wall
- ⑥ ... counter flashing (plaster sealing strip)
- ⑦ ... wall flashing (height: min. 150 mm)
- ⑧ ... double-lock clip
- ⑨ ... PREFA shingle
- ⑩ ... separating layer
- ⑪ ... solid sheathing (at least 24 mm)

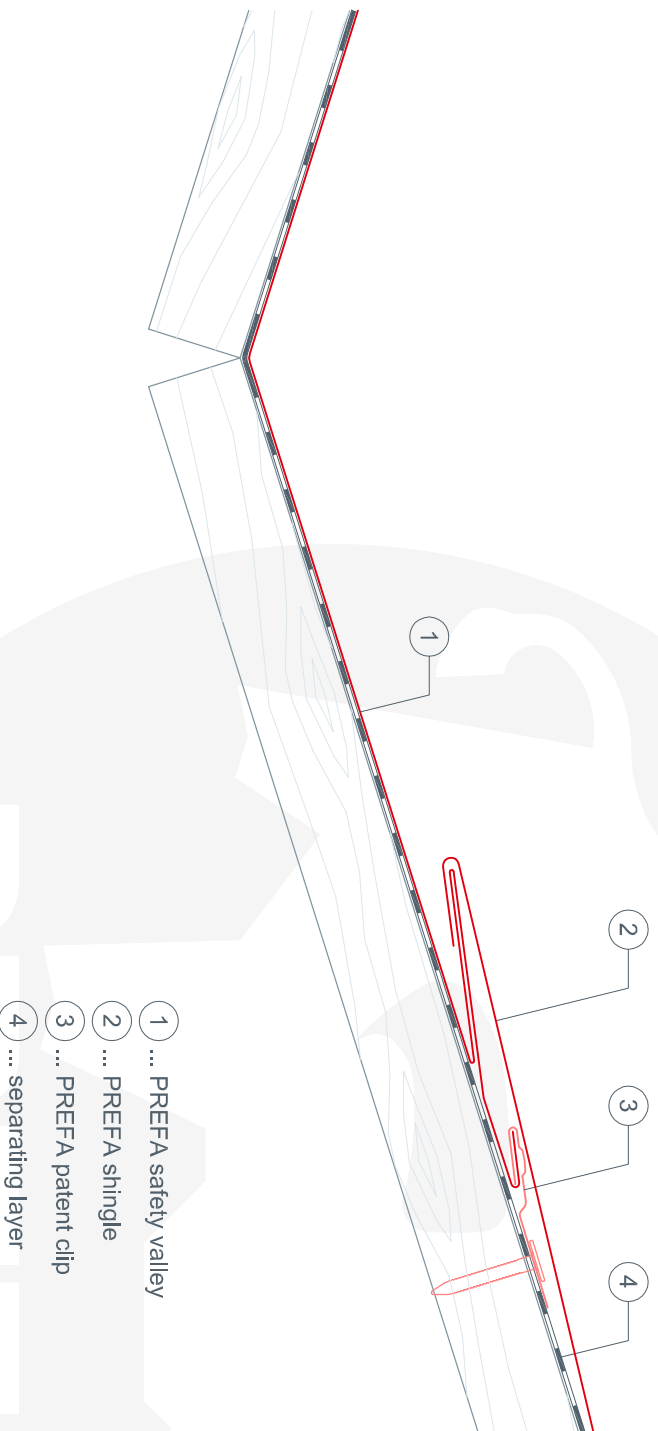




**DAS DACH,  
STARK WIE EIN STIER!**

# valley construction with PREFA safety valley for PREFA shingle

CAD-DETAILS



- ① ... PREFA safety valley
- ② ... PREFA shingle
- ③ ... PREFA patent clip
- ④ ... separating layer

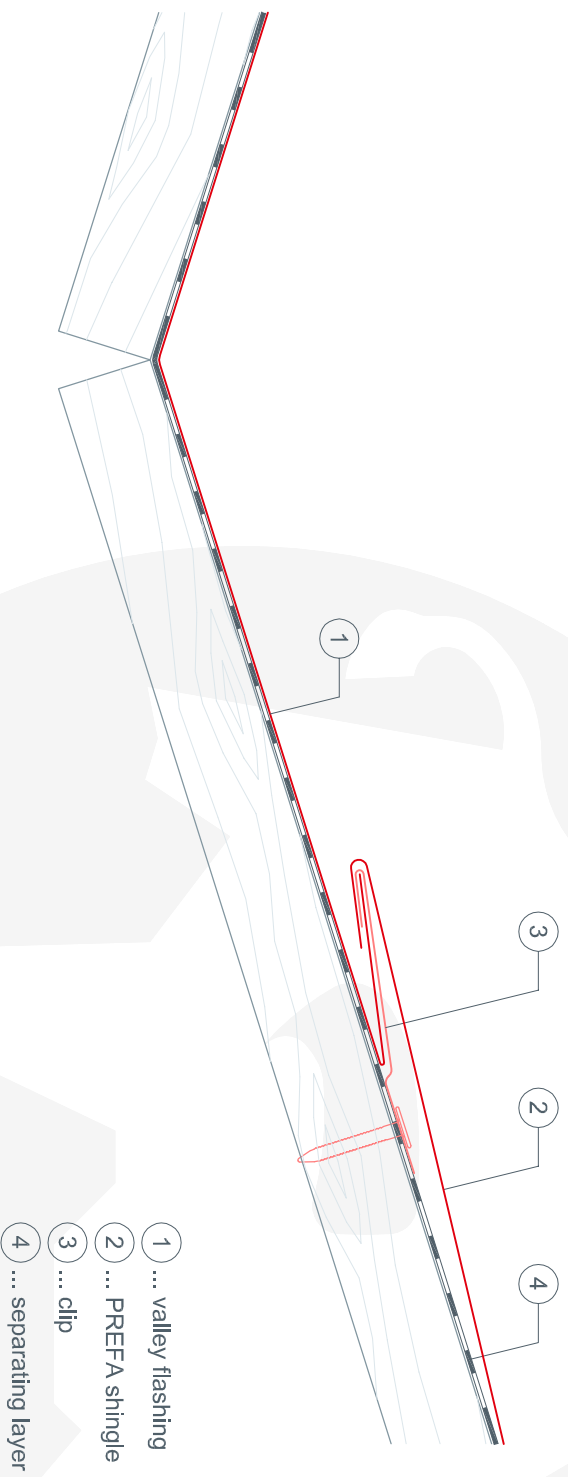




**DAS DACH,  
STARK WIE EIN STIER!**

# valley construction with simple valley for PREFA shingle

CAD-DETAILS



- ① ... valley flashing
- ② ... PREFA shingle
- ③ ... clip
- ④ ... separating layer

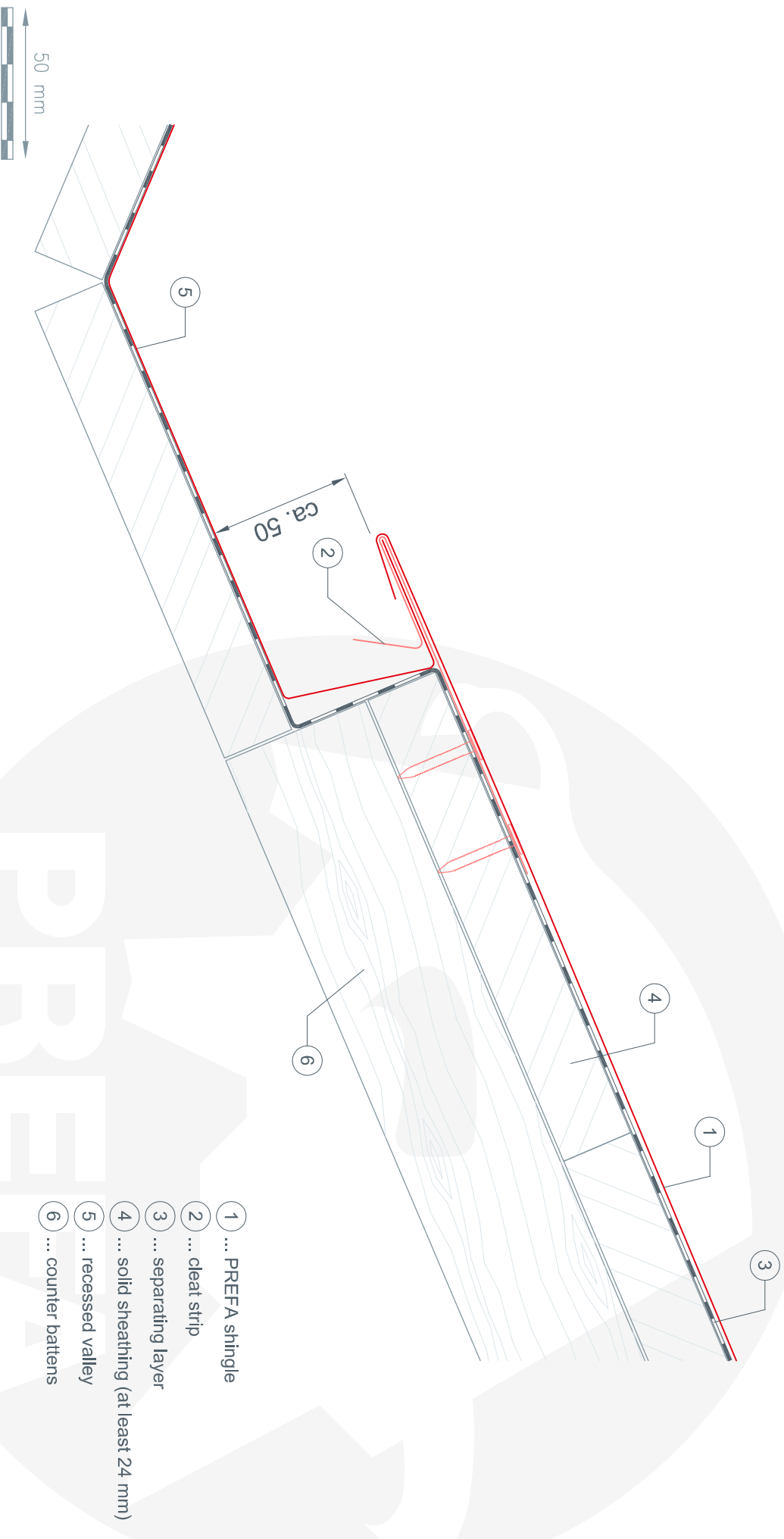




**DAS DACH,  
STARK WIE EIN STIER!**

# valley construction with recessed valley variant 1 for PREFA shingle

CAD-DETAILS



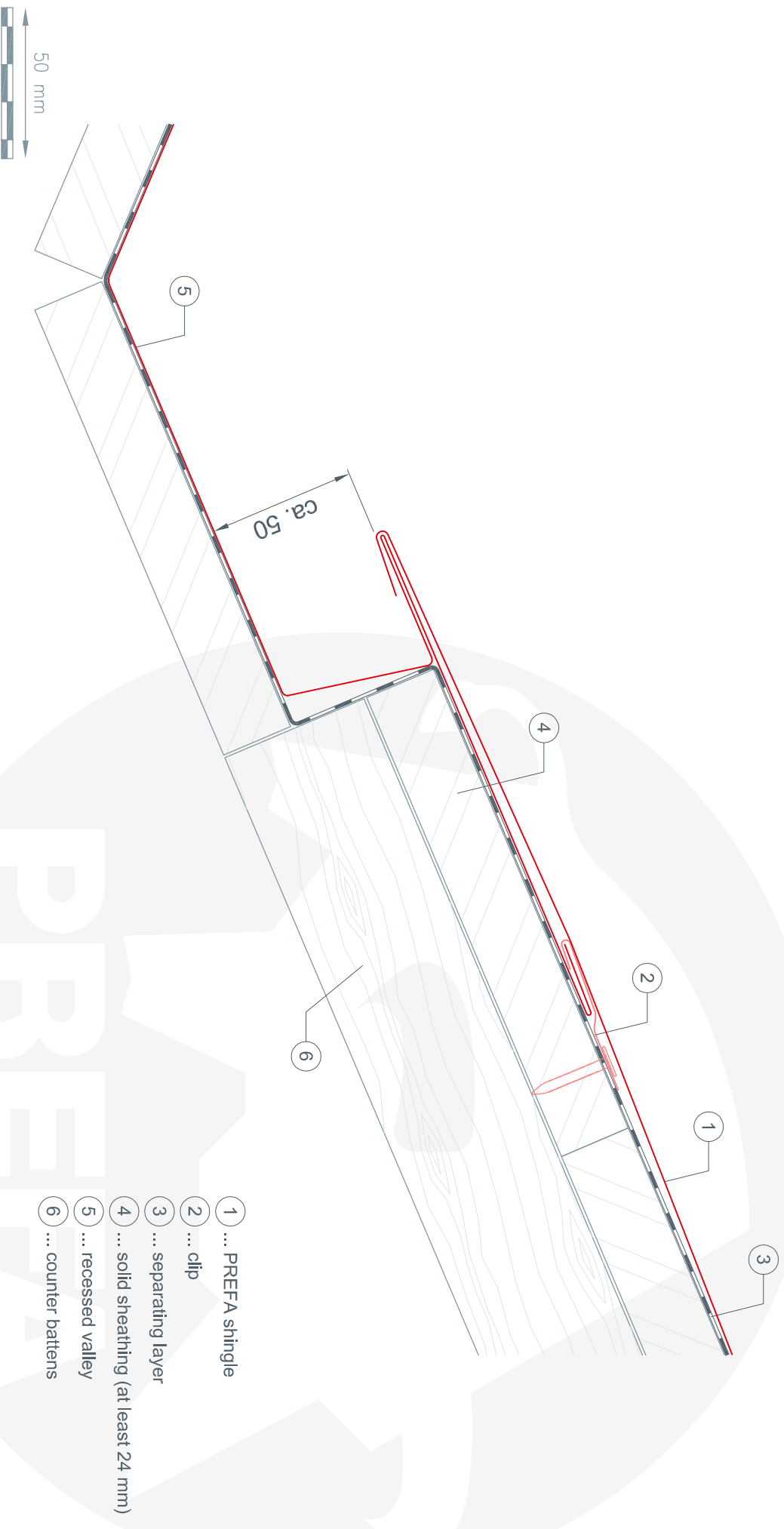
- ① ... PREFA shingle
- ② ... cleat strip
- ③ ... separating layer
- ④ ... solid sheathing (at least 24 mm)
- ⑤ ... recessed valley
- ⑥ ... counter battens



**DAS DACH,  
STARK WIE EIN STIER!**

# valley construction with recessed valley variant 2 for PREFA shingle

CAD-DETAILS



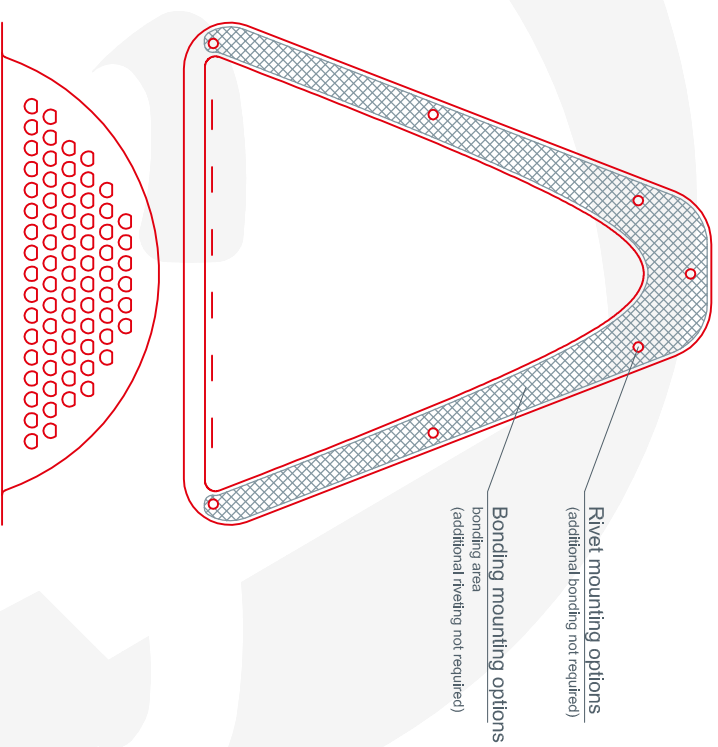
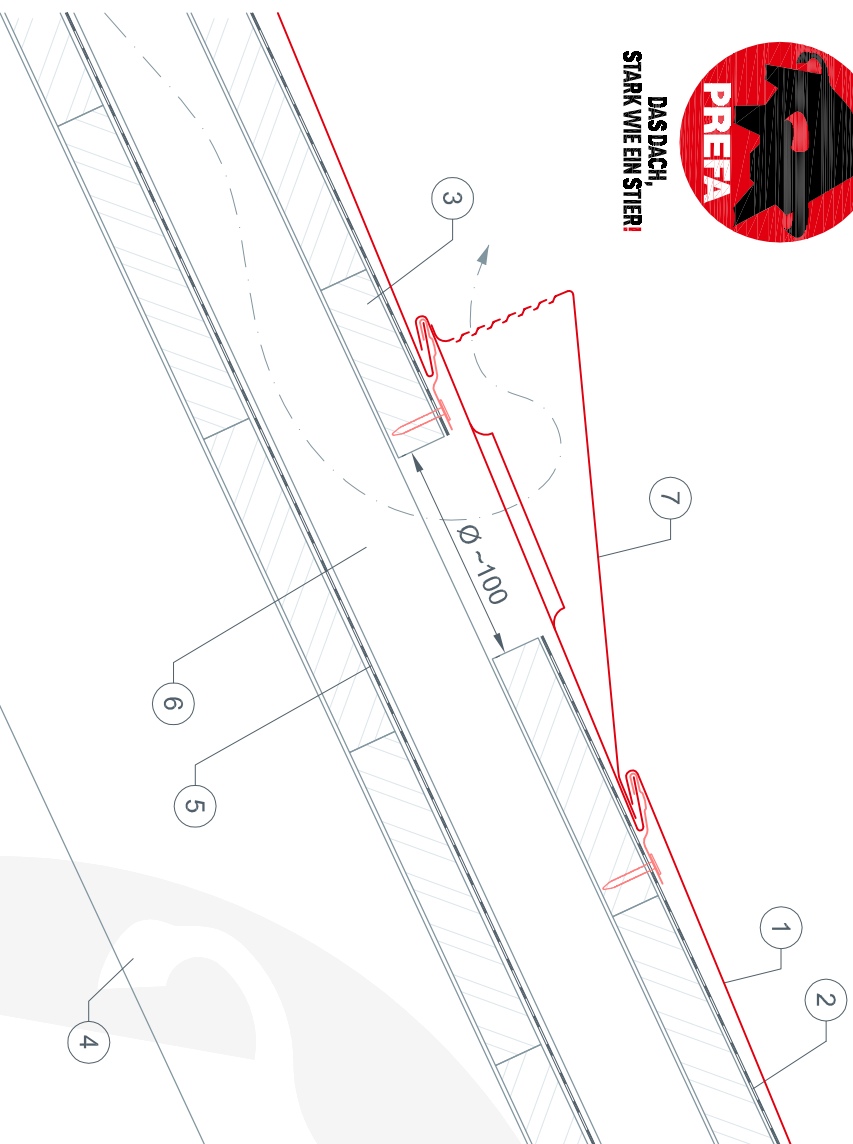
- 1 ... PREFA shingle
- 2 ... clip
- 3 ... separating layer
- 4 ... solid sheathing (at least 24 mm)
- 5 ... recessed valley
- 6 ... counter battens



**DAS DACH,  
STARK WIE EIN STIER!**

# frog-mouth vent cover for PREFA shingle

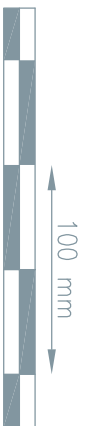
## CAD-DETAILS



Rivet mounting options  
(additional bonding not required)

Bonding mounting options  
bonding area  
(additional riveting not required)

Information:  
Air intake section of the frog-mouth vents: the air intake section must be taken into account when cutting out the sheathing (approx. 30 cm<sup>2</sup>) and the separating layer (diameter: approx. 10 cm). The edges of the cut-outs on the roof covering must be surrounded by a raised curve with a height of 1 cm.



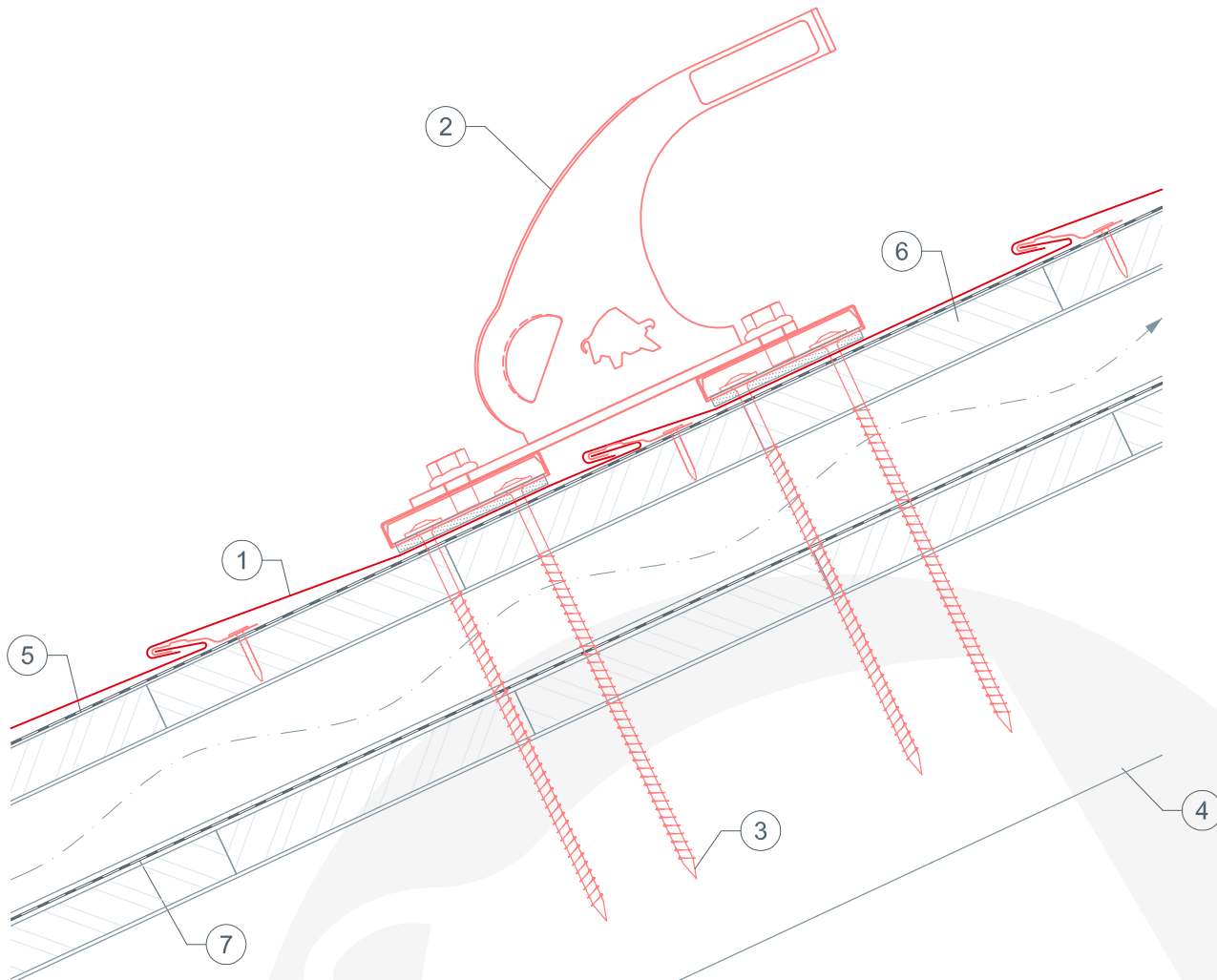
- ① ... PREFA shingle
- ② ... separating layer
- ③ ... solid sheathing (at least 24 mm)
- ④ ... rafter
- ⑤ ... roof underlay
- ⑥ ... counter battens
- ⑦ ... PREFA frog-mouth vent cover



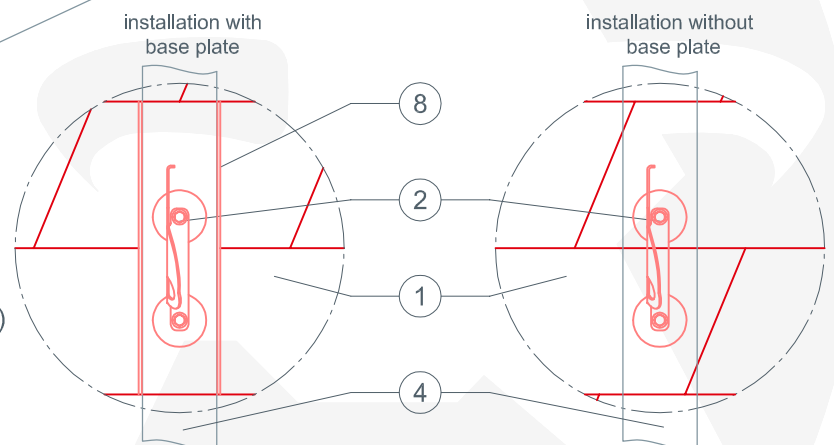
**DAS DACH,  
STARK WIE EIN STIER!**

# PREFA roof anchor hook according to EN 517 B for PREFA shingle

**CAD-DETAILS**



- ① ... PREFA shingle
- ② ... PREFA roof anchor hook
- ③ ... fasteners (timber construction screws)
- ④ ... rafter
- ⑤ ... separating layer
- ⑥ ... solid sheathing (at least 24 mm)
- ⑦ ... roof underlay
- ⑧ ... base plate



With small-format PREFA shingles, it may be necessary to install a base plate in order to mount the PREFA roof anchor hook (e.g. if a seam is lying above a rafter in the installation area).



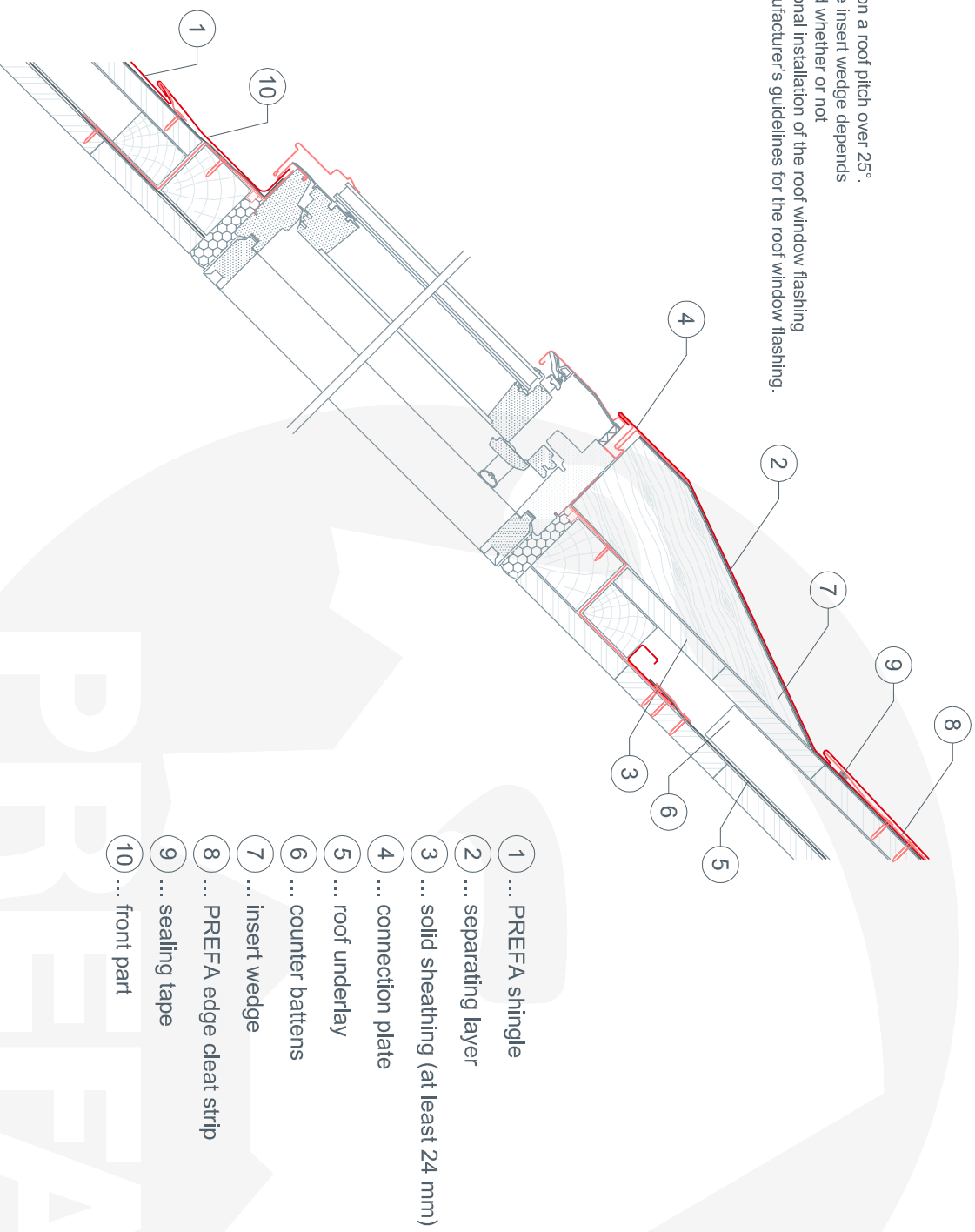


**DAS DACH,  
STARK WIE EIN STIER!**

# Roof windows with an insert wedge over 25° for PREFA shingle

## CAD-DETAILS

Roof window flashing with an insert wedge on a roof pitch over 25°. Installation in snowy areas. The need for the insert wedge depends on the building's properties, the location and whether or not there is a snow protection system. Professional installation of the roof window flashing should be carried out according to the manufacturer's guidelines for the roof window flashing.



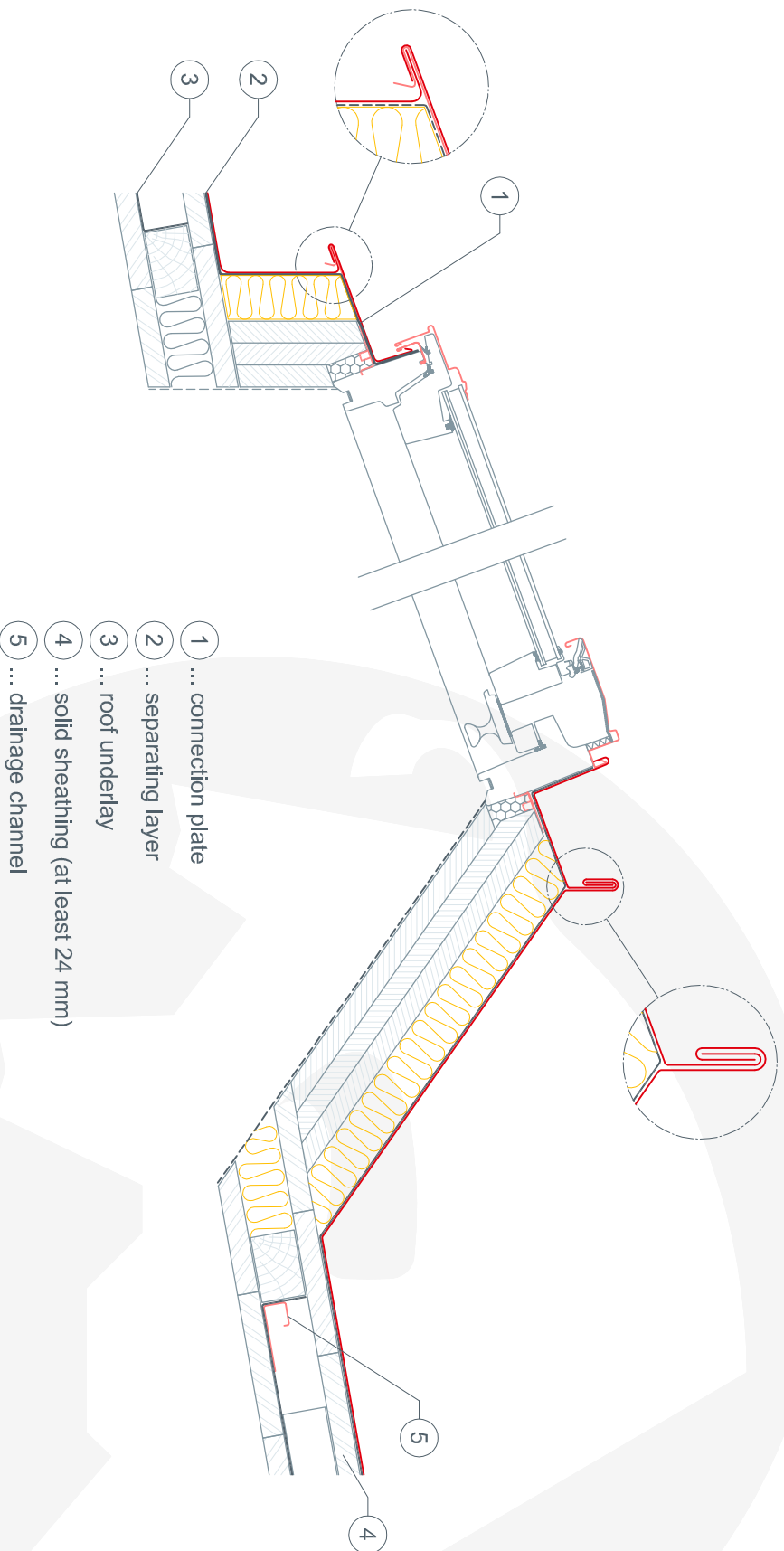
- 1 ... PREFA shingle
- 2 ... separating layer
- 3 ... solid sheathing (at least 24 mm)
- 4 ... connection plate
- 5 ... roof underlay
- 6 ... counter battens
- 7 ... insert wedge
- 8 ... PREFA edge cleat strip
- 9 ... sealing tape
- 10 ... front part



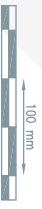
**DAS DACH,  
STARK WIE EIN STIER!**

# Roof window flashing with wedge frames under 15° \* for PREFA shingle

CAD-DETAILS



\*) Professional installation should be carried out, and the need for the roof window flashing wedge frame assessed, according to the manufacturer's guidelines for the roof window.

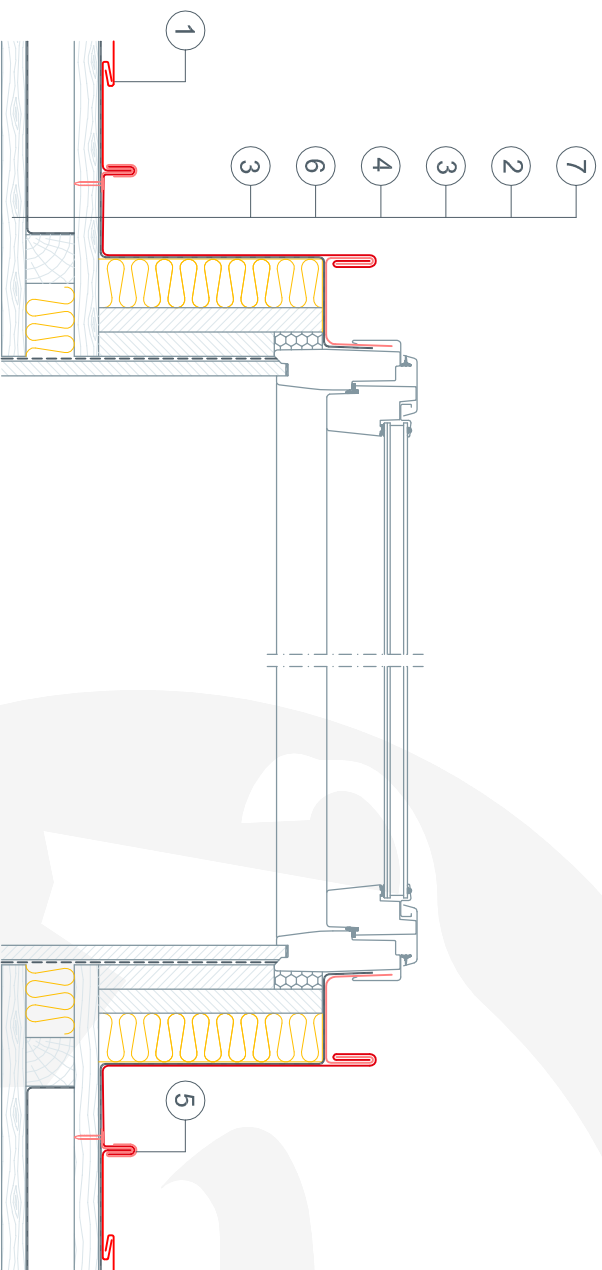




**DAS DACH,  
STARK WIE EIN STIER!**

# Roof window flashing with wedge frames under 15° \* for PREFA shingle

CAD-DETAILS



- ① ... PREFA shingle
- ② ... separating layer
- ③ ... solid sheathing (at least 24 mm)
- ④ ... counter battens
- ⑤ ... double-lock clip
- ⑥ ... roof underlay
- ⑦ ... connection plate

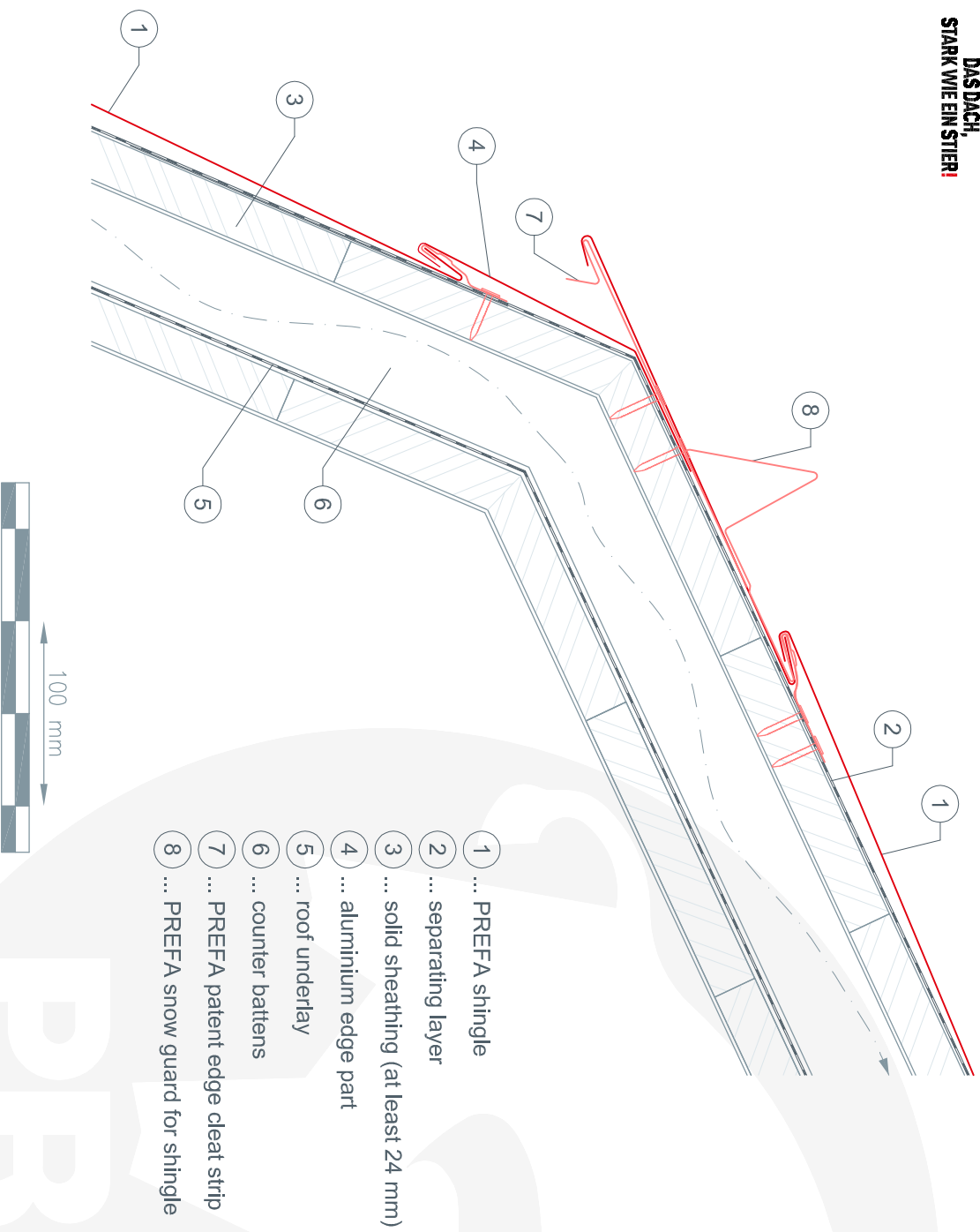


\*) Professional installation should be carried out, and the need for the roof window flashing wedge frame assessed, according to the manufacturer's guidelines for the roof window.



**DAS DACH,  
STARK WIE EIN STIER!**

## **mansard crease for PREFA shingle CAD-DETAILS**



- 1 ... PREFA shingle
- 2 ... separating layer
- 3 ... solid sheathing (at least 24 mm)
- 4 ... aluminium edge part
- 5 ... roof underlay
- 6 ... counter battens
- 7 ... PREFA patent edge cleat strip
- 8 ... PREFA snow guard for shingle

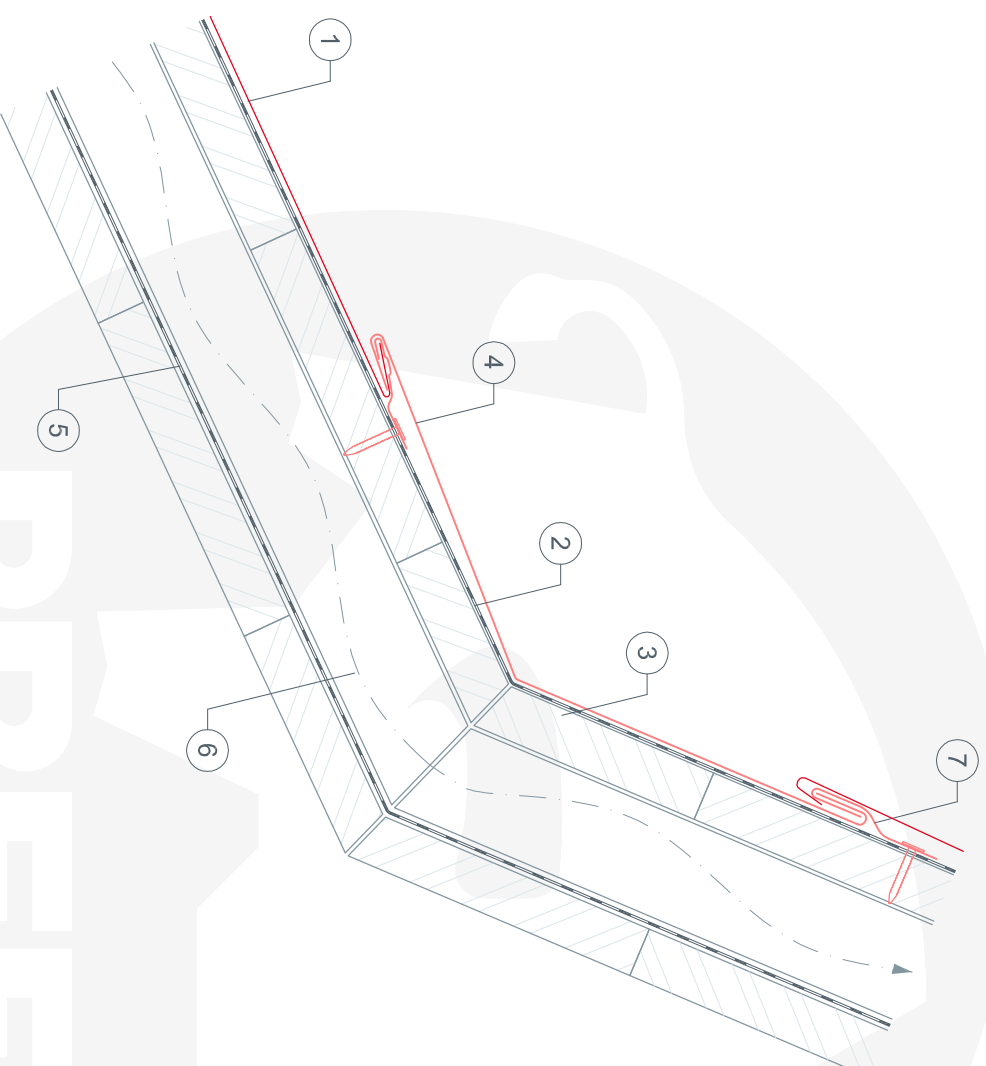


**DAS DACH,  
STARK WIE EIN STIER!**

# construction of pitch transition for PREFA shingle

## CAD-DETAILS

- ① ... PREFA shingle
- ② ... separating layer
- ③ ... solid sheathing (at least 24 mm)
- ④ ... transition flashing
- ⑤ ... roof underlay
- ⑥ ... counter battens
- ⑦ ... clips

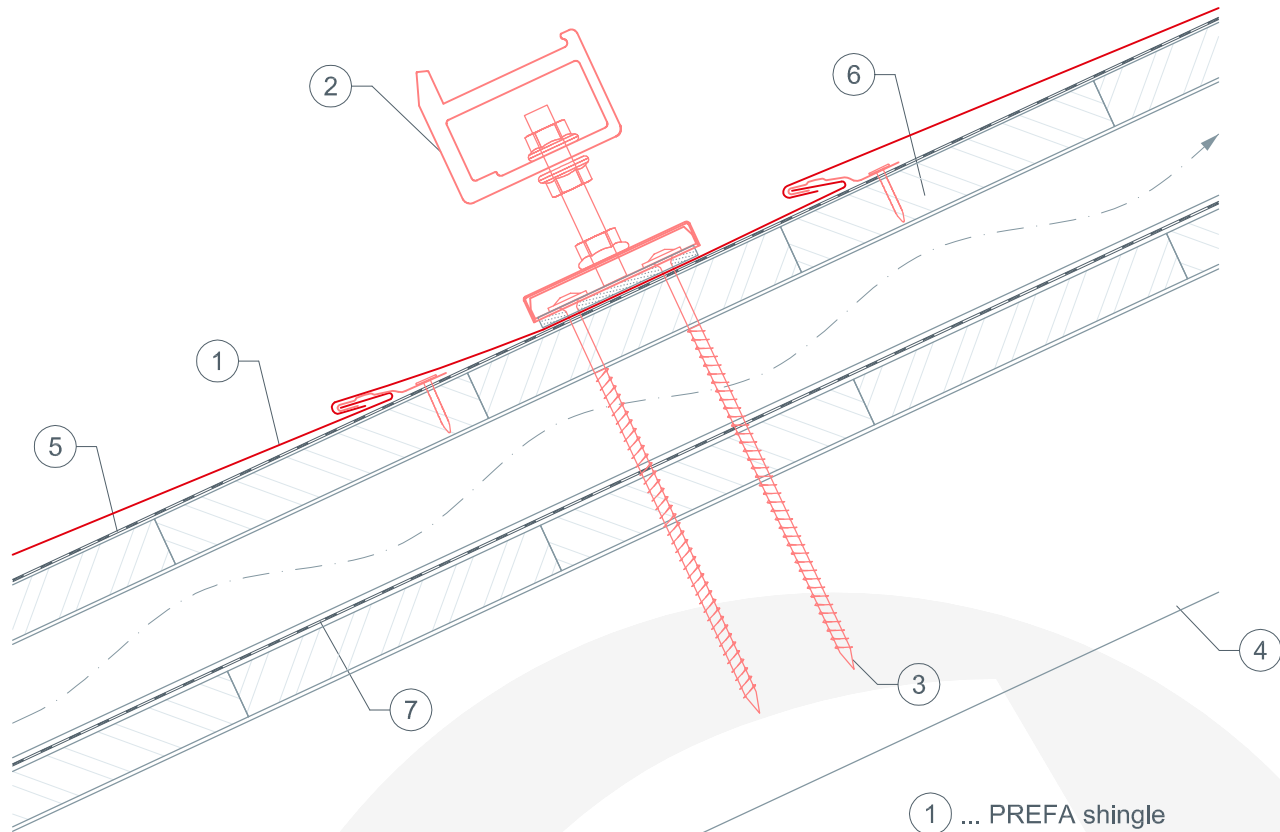




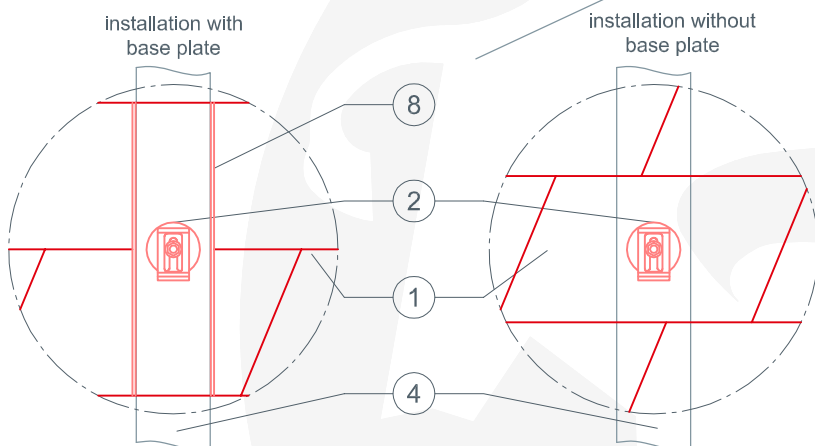
**DAS DACH,  
STARK WIE EIN STIER!**

# PREFA Vario (or Fix) solar bracket for PREFA shingle

CAD-DETAILS



- ① ... PREFA shingle
- ② ... PREFA Vario (or Fix) solar bracket
- ③ ... fasteners (timber construction screws)
- ④ ... rafter
- ⑤ ... separating layer
- ⑥ ... solid sheathing (at least 24 mm)
- ⑦ ... roof underlay
- ⑧ ... base plate



With small-format PREFA shingles, it may be necessary to install a base plate in order to mount the PREFA Vario or Fix solar bracket (e.g. if a seam is lying above a rafter in the installation area).

double-skin roof structure: fixing screws (2 screws 8 × 220 mm)  
single-skin roof structure: fixing screws (2 screws 8 × 120 mm)



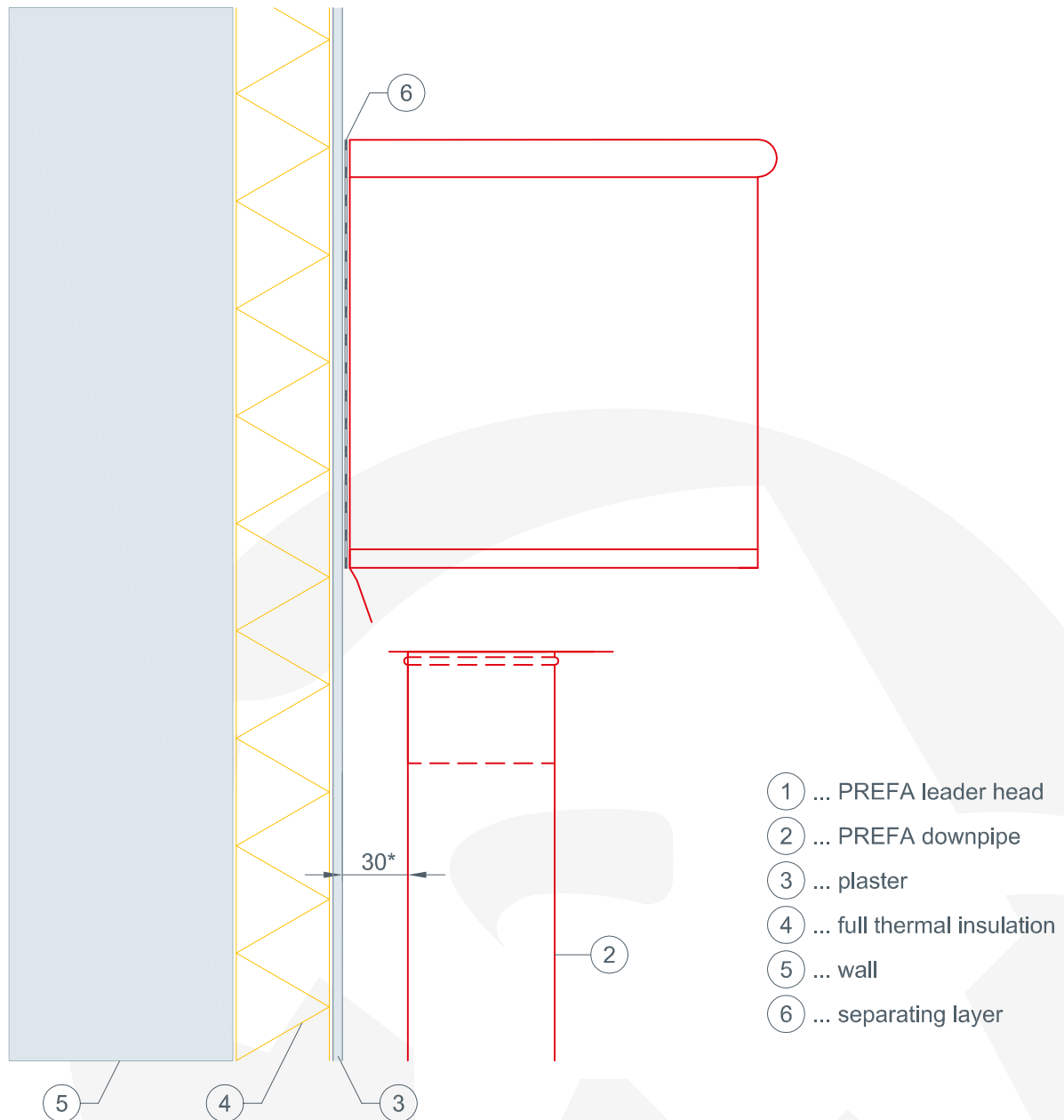
PREFA



**DAS DACH,  
STARK WIE EIN STIER!**

# PREFA leader head

## CAD-DETAILS



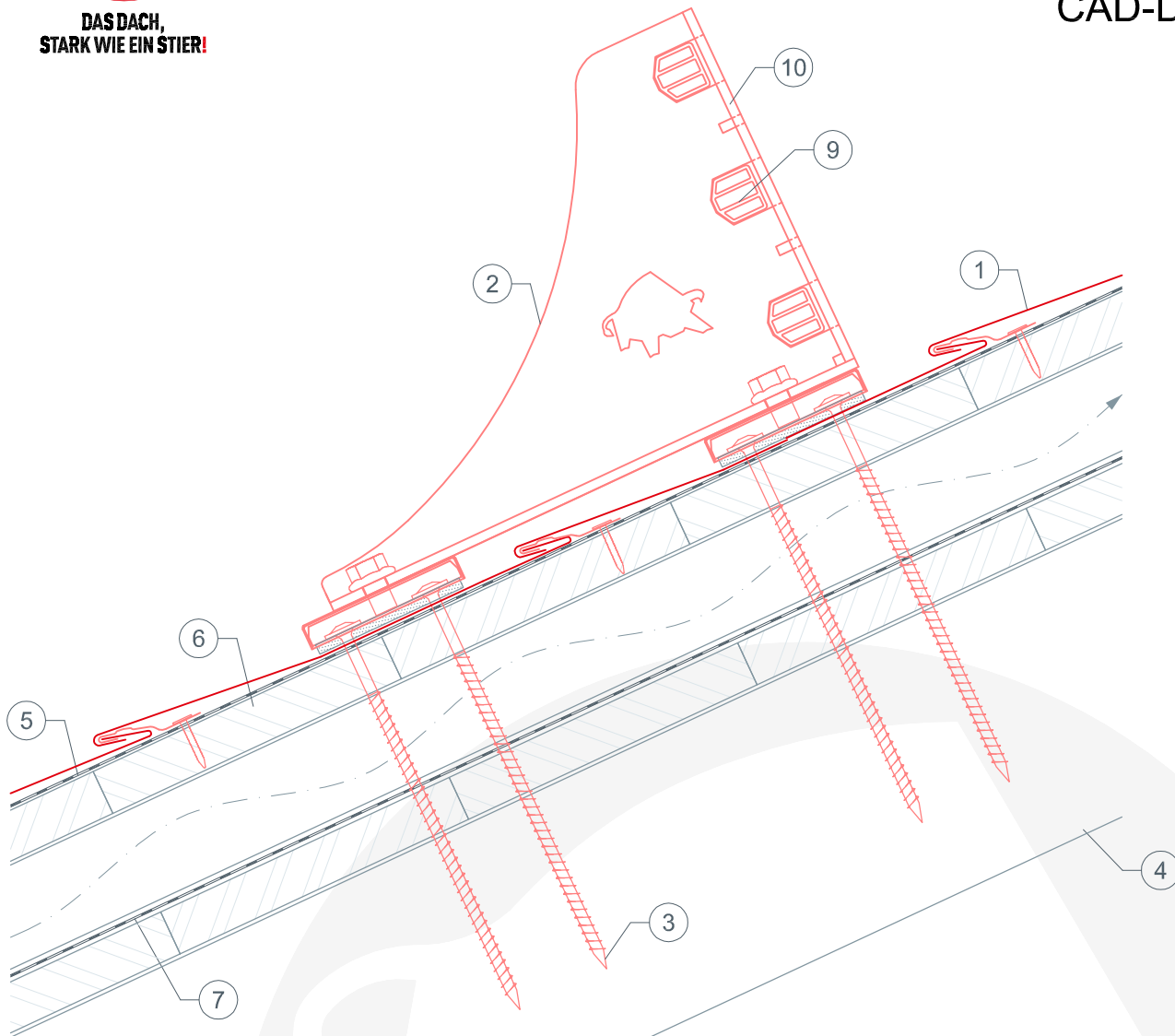
\* With a square downpipe, the distance is 40 mm



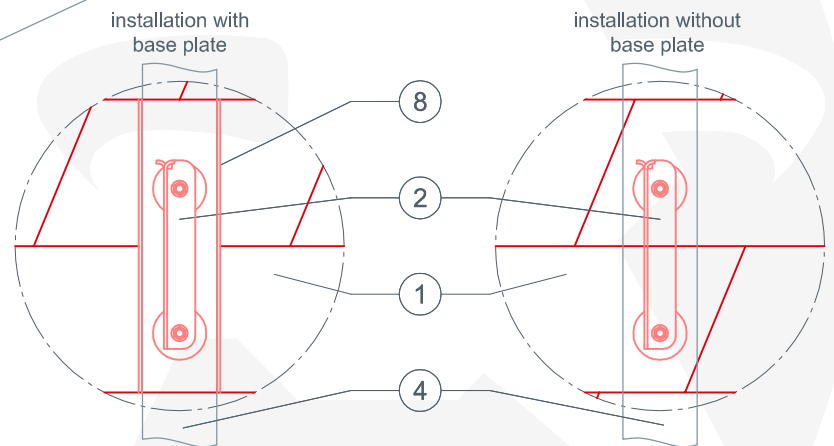
**DAS DACH,  
STARK WIE EIN STIER!**

# PREFA pipe-style snow guard system for PREFA shingle

## CAD-DETAILS

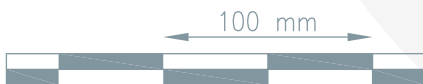


- ① ... PREFA shingle
- ② ... PREFA pipe-style snow guard system
- ③ ... fasteners (timber construction screws)
- ④ ... rafter
- ⑤ ... separating layer
- ⑥ ... solid sheathing (at least 24 mm)
- ⑦ ... roof underlay
- ⑧ ... base plate
- ⑨ ... PREFA removable pipe for pipe-style snow guard system
- ⑩ ... fixing slide



With small-format PREFA shingles, it may be necessary to install a base plate in order to mount the PREFA pipe-style snow guard system (e.g. if a seam is lying above a rafter in the installation area).

double-skin roof structure: fixing screws (4 screws 8 × 220 mm)  
single-skin roof structure: fixing screws (4 screws 8 × 120 mm)

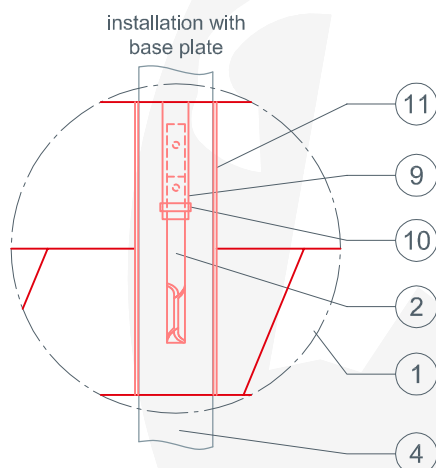
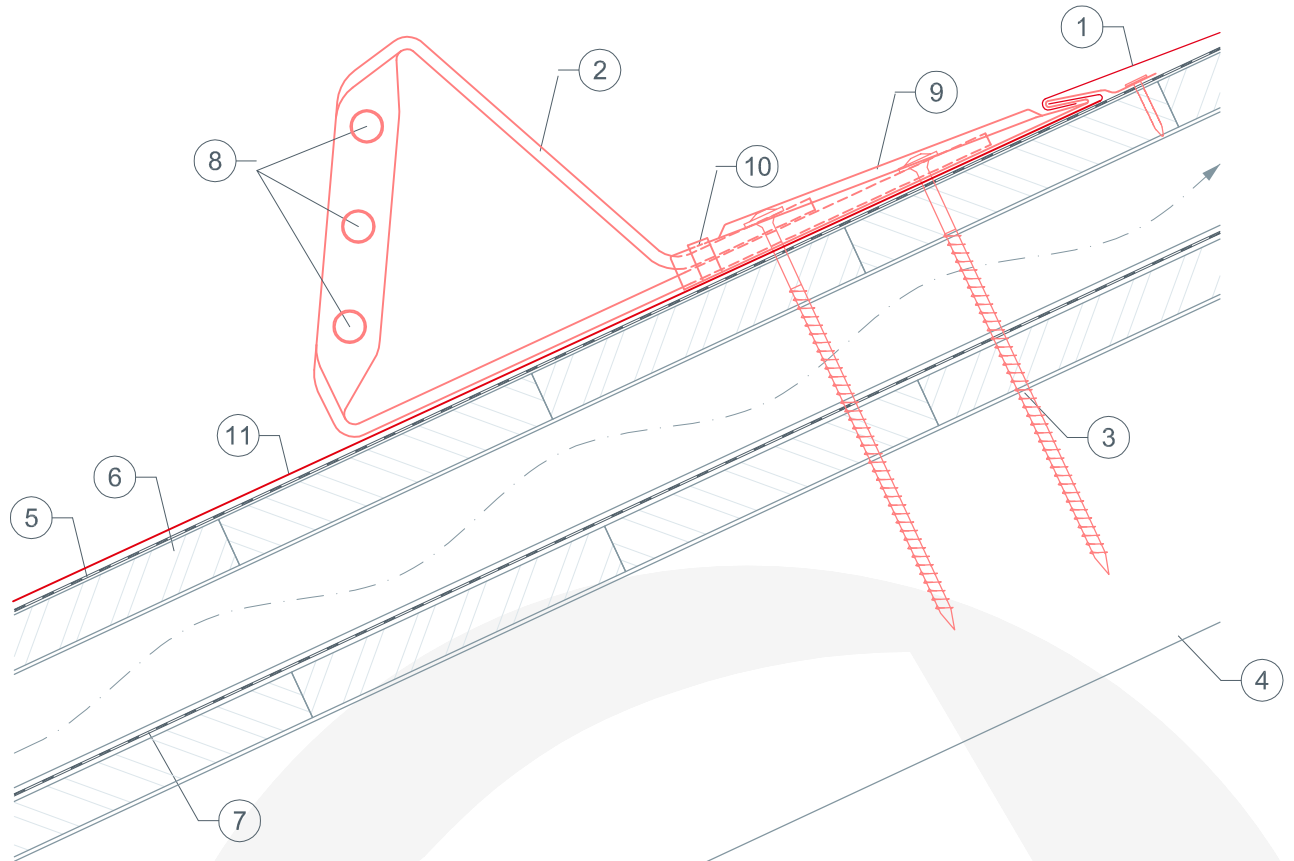




**DAS DACH,  
STARK WIE EIN STIER!**

# PREFA pipe-style snow guard bracket for PREFA shingle

CAD-DETAILS



- ① ... PREFA shingle
- ② ... PREFA pipe-style snow guard bracket
- ③ ... fasteners (timber construction screws)
- ④ ... rafter
- ⑤ ... separating layer
- ⑥ ... solid sheathing (at least 24 mm)
- ⑦ ... roof underlay
- ⑧ ... pipes (diameter 15 mm)
- ⑨ ... protective cap
- ⑩ ... fixing strip
- ⑪ ... base plate

With small-format PREFA shingles, it may be necessary to install a base plate in order to mount the PREFA pipe-style snow guard bracket (e.g. if a seam is lying above a rafter in the installation area).

double-skin roof structure: fixing screws (2 screws 8 × 220 mm)  
single-skin roof structure: fixing screws (2 screws 8 × 120 mm)

100 mm

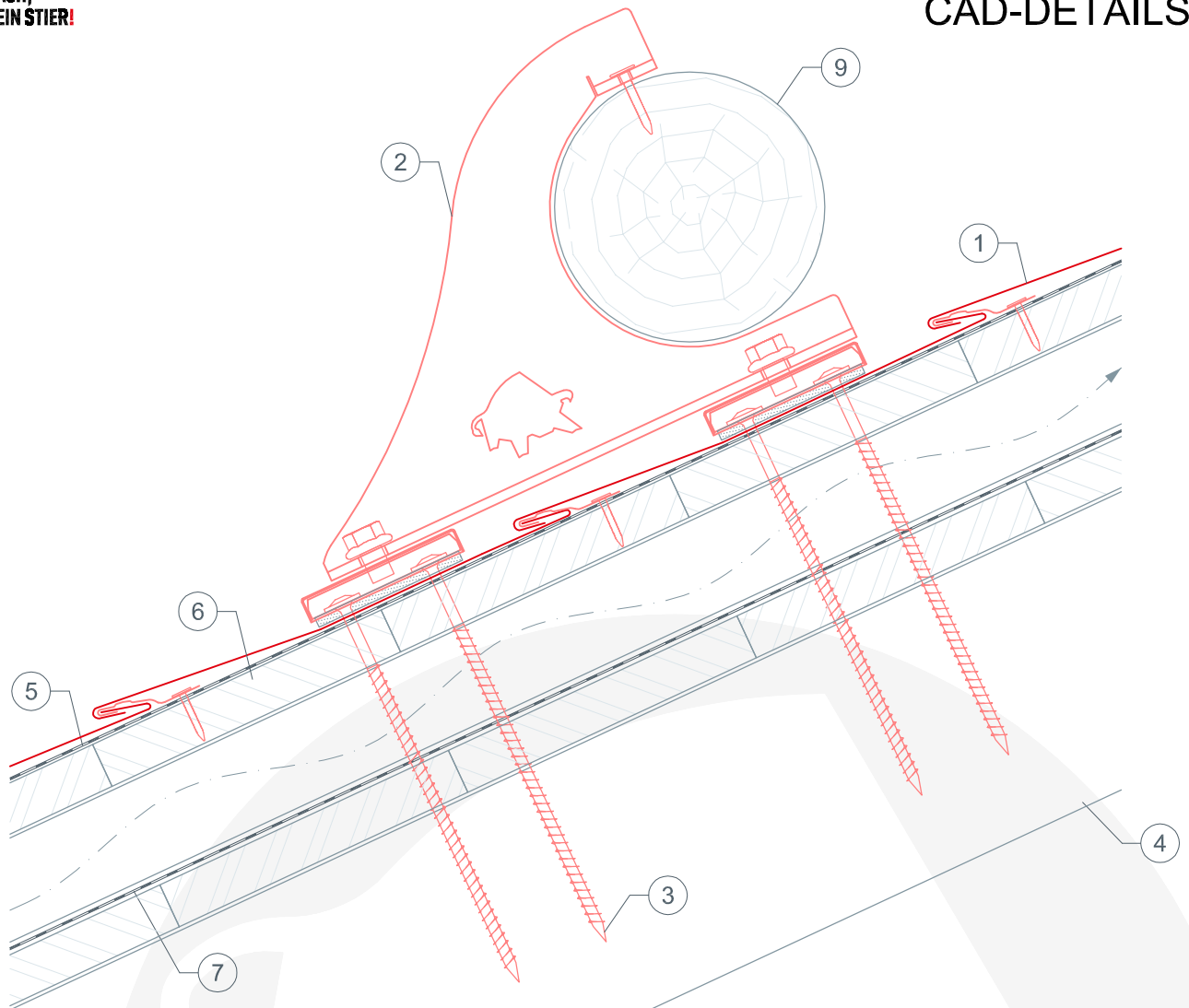




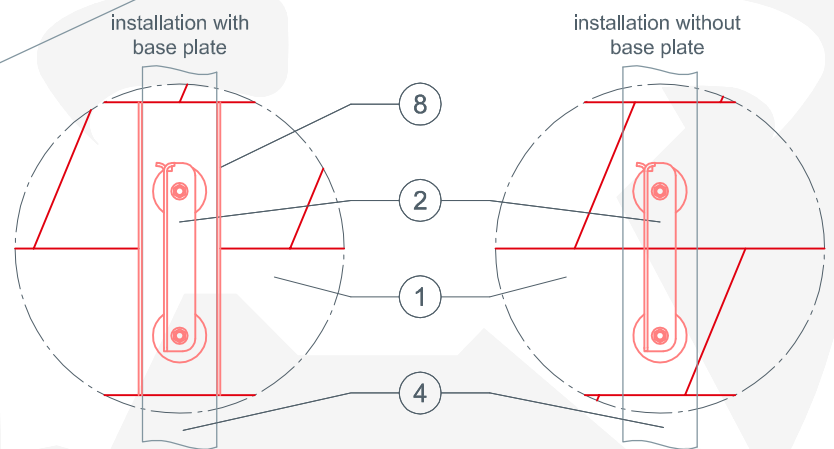
**DAS DACH,  
STARK WIE EIN STIER!**

# PREFA mountain snow-guard bracket for PREFA shingle

## CAD-DETAILS



- ① ... PREFA shingle
- ② ... PREFA mountain snow-guard bracket
- ③ ... fasteners (timber construction screws)
- ④ ... rafter
- ⑤ ... separating layer
- ⑥ ... solid sheathing (at least 24 mm)
- ⑦ ... roof underlay
- ⑧ ... base plate
- ⑨ ... log (diameter 140 mm)



With small-format PREFA shingles, it may be necessary to install a base plate in order to mount the PREFA mountain snow-guard bracket (e.g. if a seam is lying above a rafter in the installation area).

double-skin roof structure: fixing screws (2 screws 8 × 220 mm)  
single-skin roof structure: fixing screws (2 screws 8 × 120 mm)

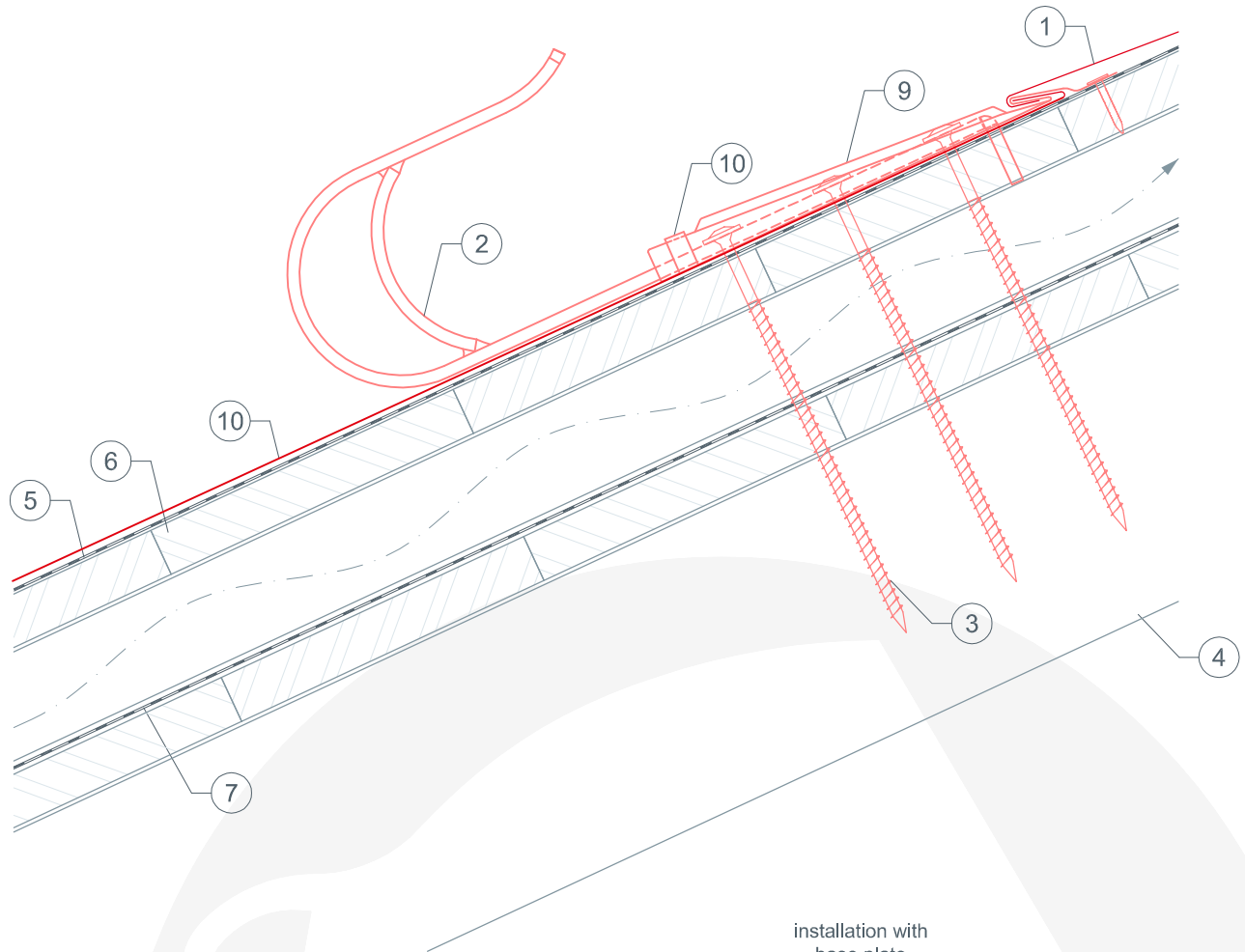




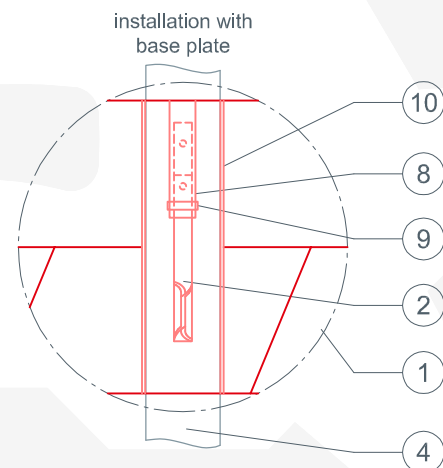
**DAS DACH,  
STARK WIE EIN STIER!**

# PREFA roof anchor hook EN 517 B for PREFA shingle

## CAD-DETAILS



- ① ... PREFA shingle
- ② ... PREFA roof anchor hook EN 517B
- ③ ... fasteners (timber construction screws)
- ④ ... rafter
- ⑤ ... separating layer
- ⑥ ... solid sheathing (at least 24 mm)
- ⑦ ... roof underlay
- ⑧ ... protective cap
- ⑨ ... fixing strip
- ⑩ ... base plate



With small-format PREFA shingles, it may be necessary to install a base plate in order to mount the PREFA roof anchor hook (e.g. if a seam is lying above a rafter in the installation area).

double-skin roof structure: fixing screws (2 screws 8 × 220 mm)  
single-skin roof structure: fixing screws (2 screws 8 × 120 mm)

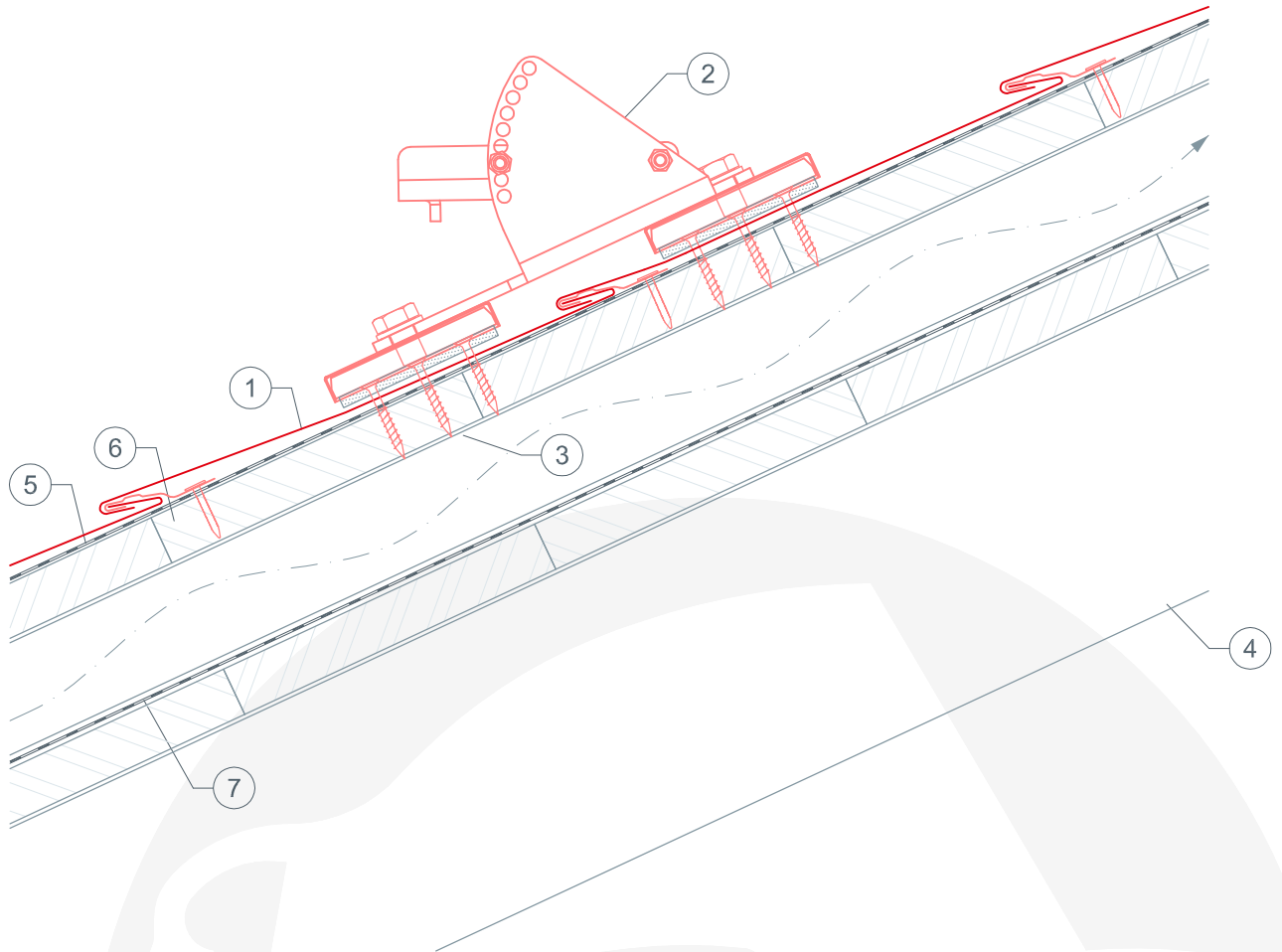




**DAS DACH,  
STARK WIE EIN STIER!**

# PREFA safety tread for PREFA shingle

## CAD-DETAILS



- ① ... PREFA shingle
- ② ... PREFA safety tread
- ③ ... fixing material
- ④ ... rafter
- ⑤ ... separating layer
- ⑥ ... solid sheathing (at least 24 mm)
- ⑦ ... roof underlay

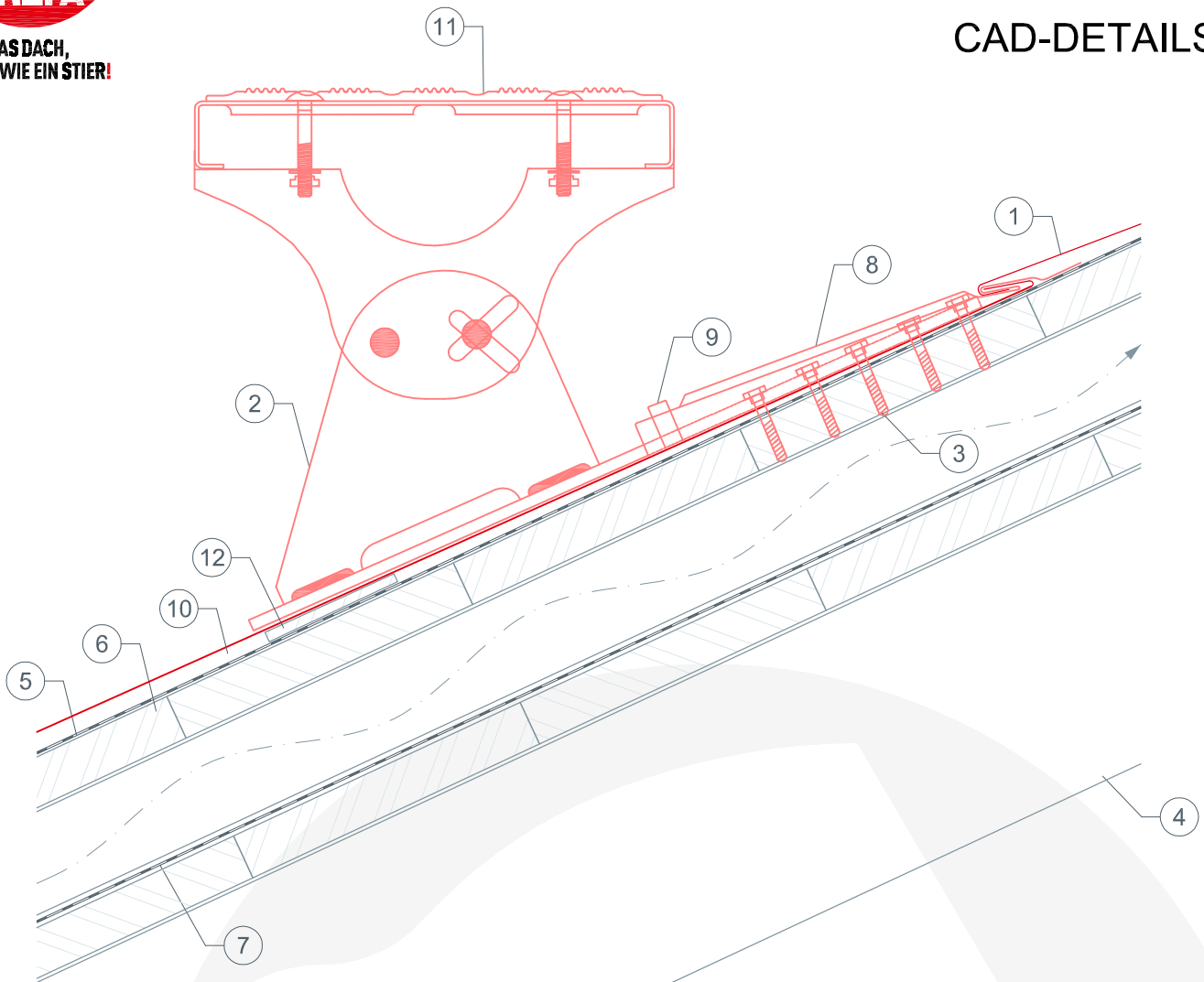




**DAS DACH,  
STARK WIE EIN STIER!**

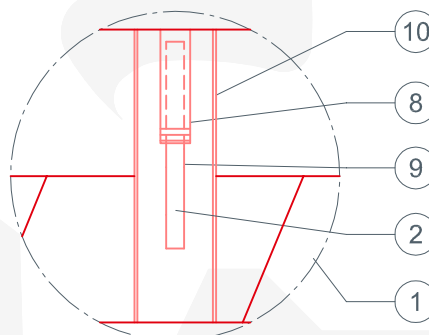
# PREFA walkway support for PREFA shingle

## CAD-DETAILS



- ① ... PREFA shingle
- ② ... walkway support
- ③ ... fixing material
- ④ ... rafter
- ⑤ ... separating layer
- ⑥ ... solid sheathing (at least 24 mm)
- ⑦ ... roof underlay
- ⑧ ... protective cap
- ⑨ ... fixing strip
- ⑩ ... base plate
- ⑪ ... walkway grating
- ⑫ ... underlay for walkway grating supports

installation with  
base plate



With PREFA shingles, it is necessary to install a base plate in order to mount the PREFA walkway support (e.g. if a seam is lying above a rafter in the installation area).

100 mm

